

## 2JW1002-FKI

2.4/5.0/6.0 GHZ ISM Connector Mount

### Key Features

#### 2.4/5.0/6.0 GHz ISM

- 2410-2490 MHz

- 4920-7125 MHz

Connector Mount

WIFI 6E / WIFI 7 Antenna

Low Profile

High Efficiency

Ground Plane Dependent

Hinged Connector

Fakra-I-Beige Connector

Dimensions 81 × 14 × 10 mm



## 1. Antenna and electrical specifications

Parameters	2.4/5.0/6.0 GHz ISM Antenna		
<b>Standards</b>	WiFi 6E, BT, ZigBee, ISM, SigFox, LoRa		
<b>Band (MHz)</b>	2.4 GHz	5.0 GHz	6.0 GHz
<b>Frequency (MHz)</b>	2410-2490	4920-5925	5925-7125
<b>Return Loss (dB)</b>	~-15.1	~-6.5	~-5.3
<b>VSWR</b>	~2.3:1	~3.1:1	~3.8:1
<b>Efficiency (%)</b>	~58.7	~33	~34.1
<b>Peak Gain (dBi)</b>	~2.0	~1.0	~2.0
<b>Average Gain (dB)</b>	~-2.3	~-2.1	~-2.0
<b>Impedance (Ohm)</b>	50		
<b>Polarisation</b>	Linear		
<b>Radiation Pattern</b>	Omni-Directional		
<b>Max. Input Power (W)</b>	25		
<b>Connector Type</b>	Fakra-I-Beige-Female		

### Antenna Measurement Conditions:

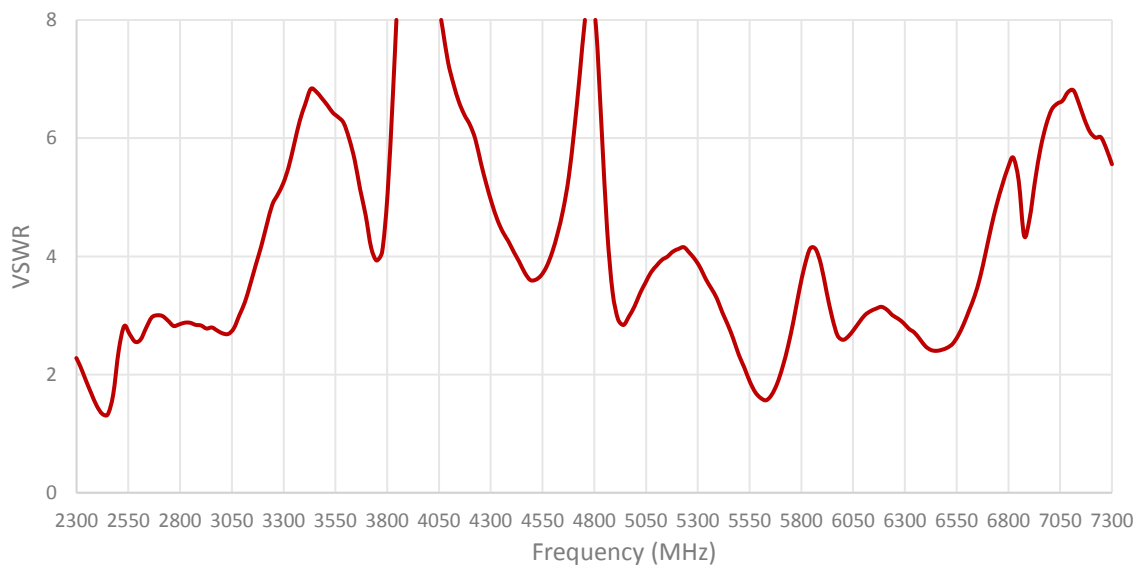
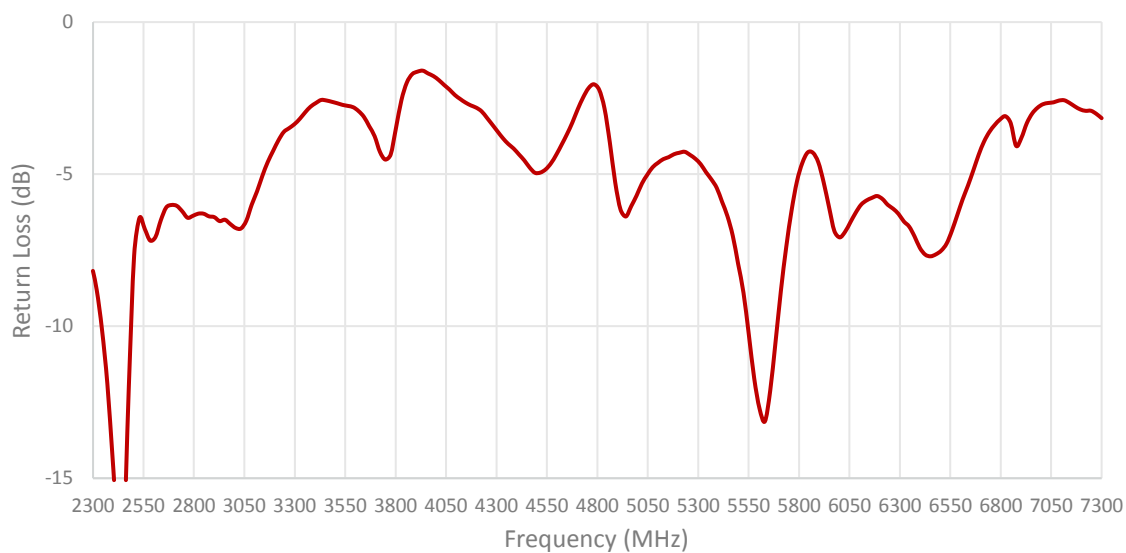
Mounted on ground plane 80x40 mm

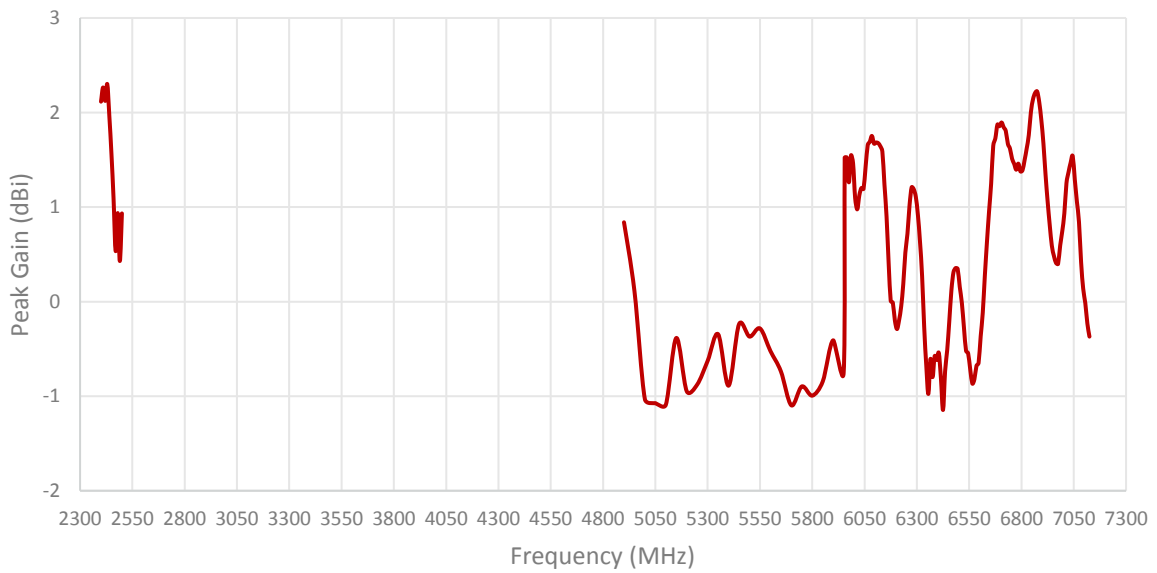
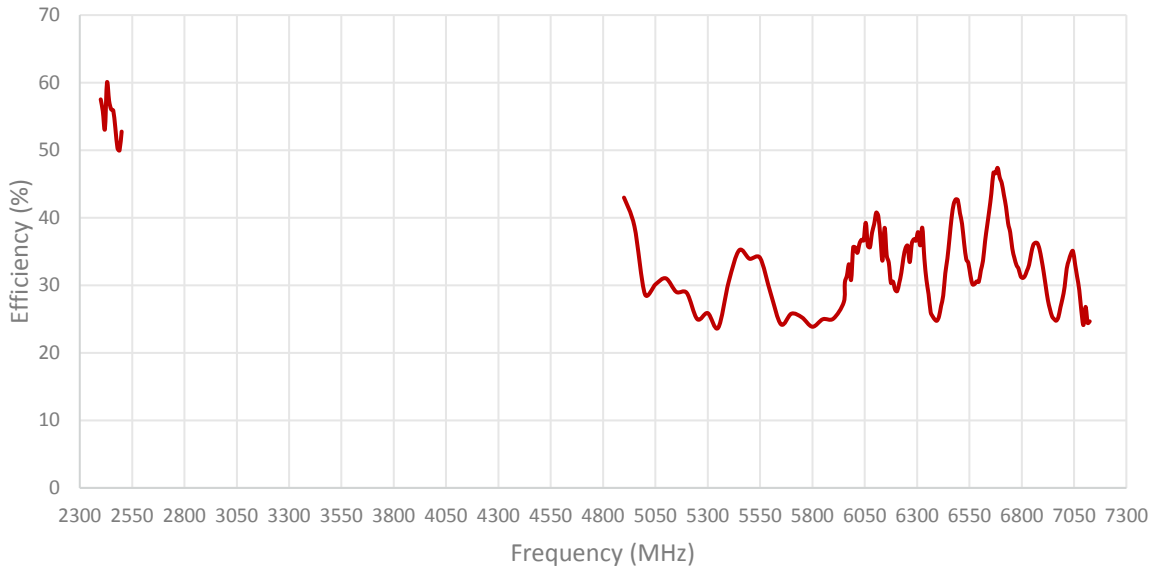
Measured in Certified CTIA 3D Anechoic Chamber

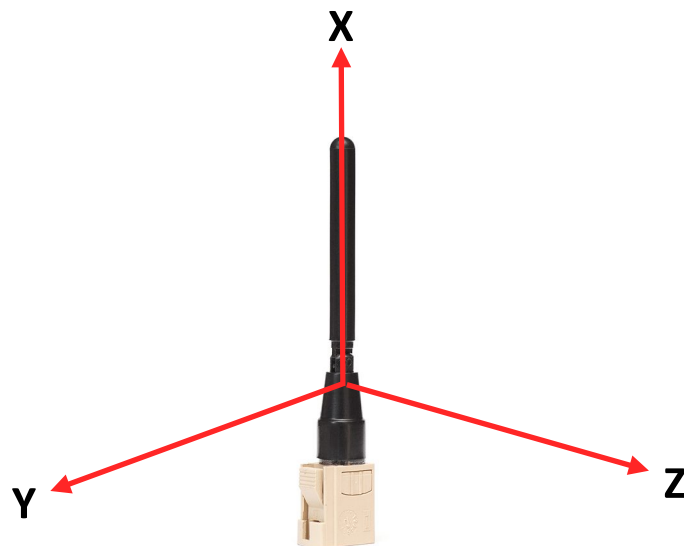
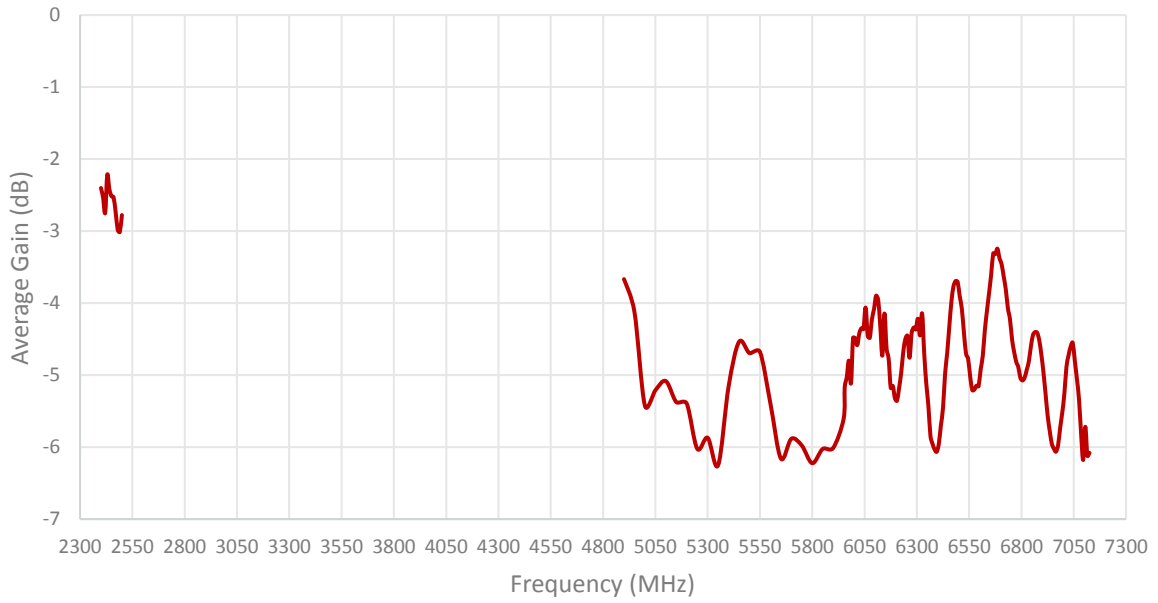
## 2. Mechanical and environmental specifications

Specifications	2JW1002-FKI
<b>Mounting Type</b>	Connector Mount
<b>Dimensions (mm)</b>	81 × 14 × 10
<b>Radome Type</b>	POM
<b>Radome Color</b>	Black
<b>Operating Temperature (C)</b>	-40 to +85
<b>Storage Temperature (C)</b>	-40 to +85
<b>Substance Compliance</b>	RoHS

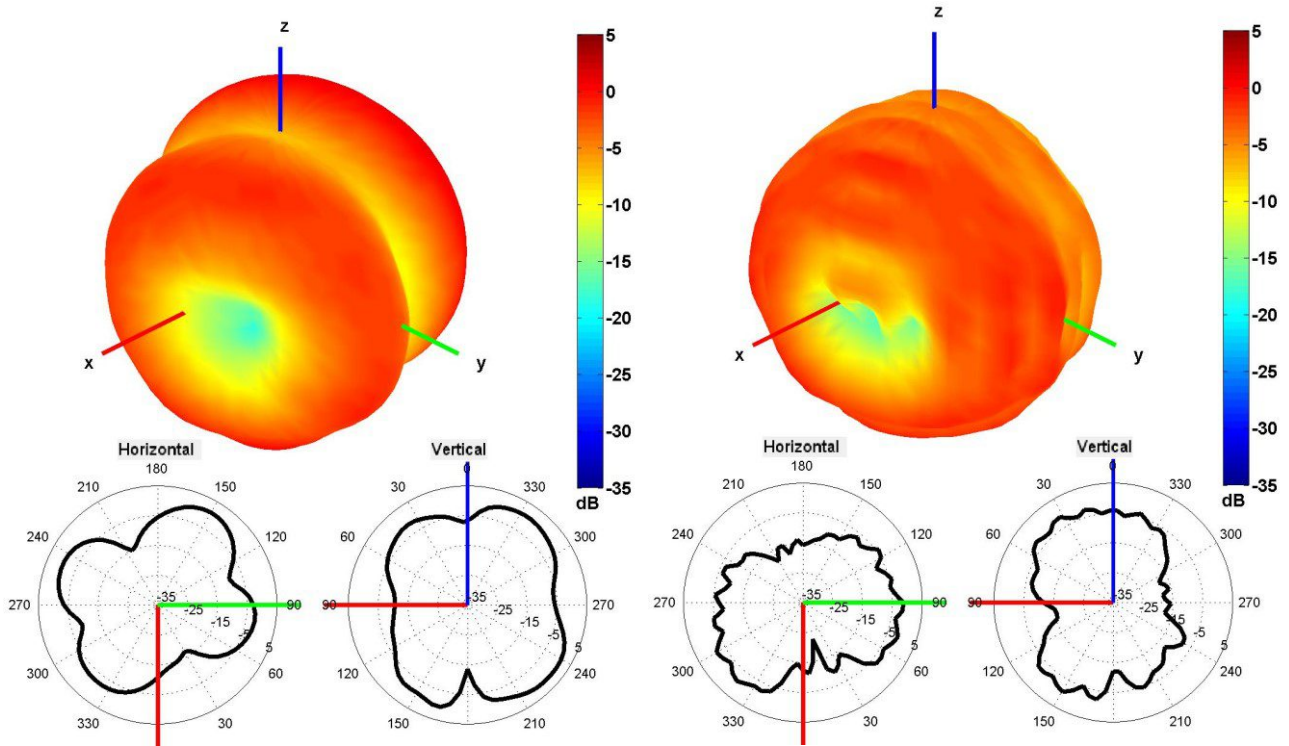
### 3. Antenna parameters



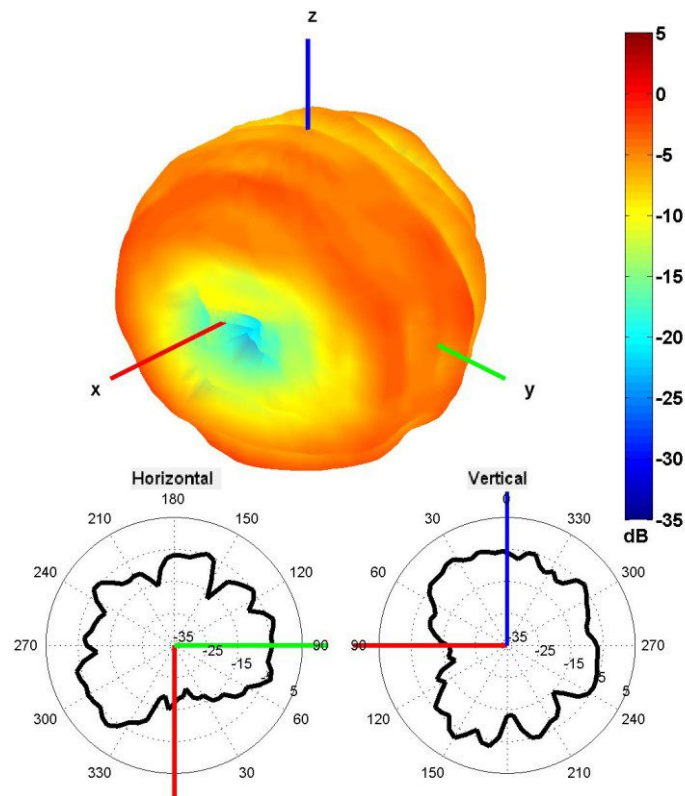




Radiation pattern reference

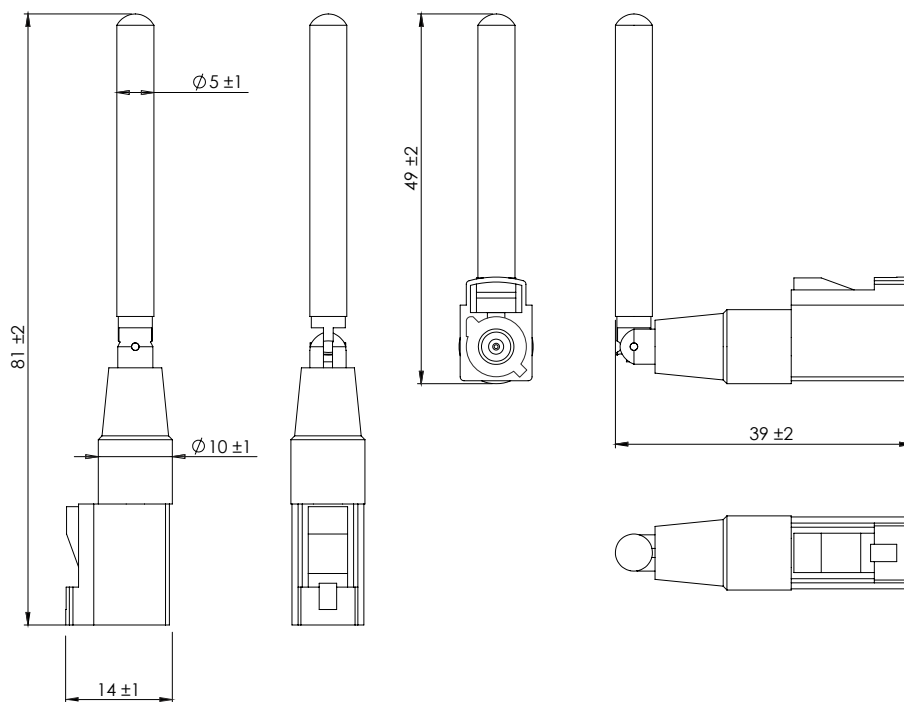
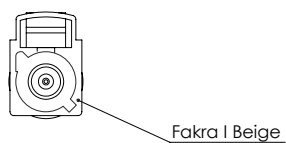


2450 and 5500 MHz Radiation pattern



6500 MHz Radiation pattern

## 4. Antenna drawings



5. Antenna Images

