

2JCP2540202c

2.4/5.0/6.0 GHZ ISM Ceramic Thru-Hole Mount

Key Features

2.4/5.0/6.0 GHz ISM

- 2410-2490 MHz

- 4920-7125 MHz

Thru-Hole Mount

High Gain

Ground Plane Dependent

Dimensions 25 x 25 x 4 mm



1. Antenna and electrical specifications

Parameters	2.4/5.0/6.0 GHz ISM Ceramic Thru-Hole Mount Antenna		
Standards	WiFi 6E, BT, ZigBee, ISM		
Band (MHz)	2.4 GHz	5.0 GHz	6.0 GHz
Frequency (MHz)	2410-2490	4920-5925	5925-7125
Return Loss (dB)	~-9.0	~-11.9	~-5.6
VSWR	~3.1:1	~1.8:1	~3.7:1
Efficiency (%)	~65.7	~83.6	~57.6
Peak Gain (dBi)	~4.5	~6.0	~5.0
Average Gain (dB)	~-2.0	~-0.8	~-2.5
Impedance (Ohm)	50		
Polarisation	Linear		
Radiation Pattern	Hemispherical		

Antenna Measurement Conditions:

Free Space

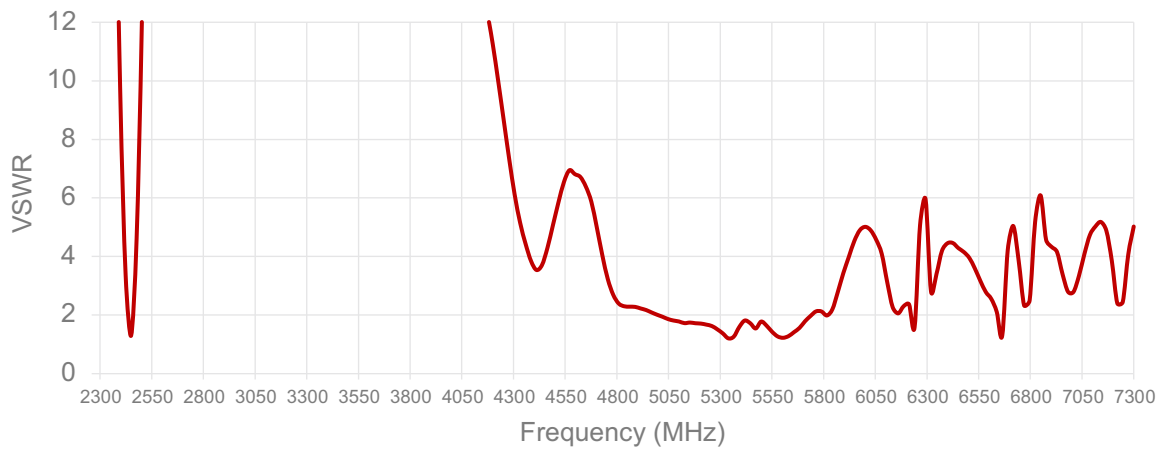
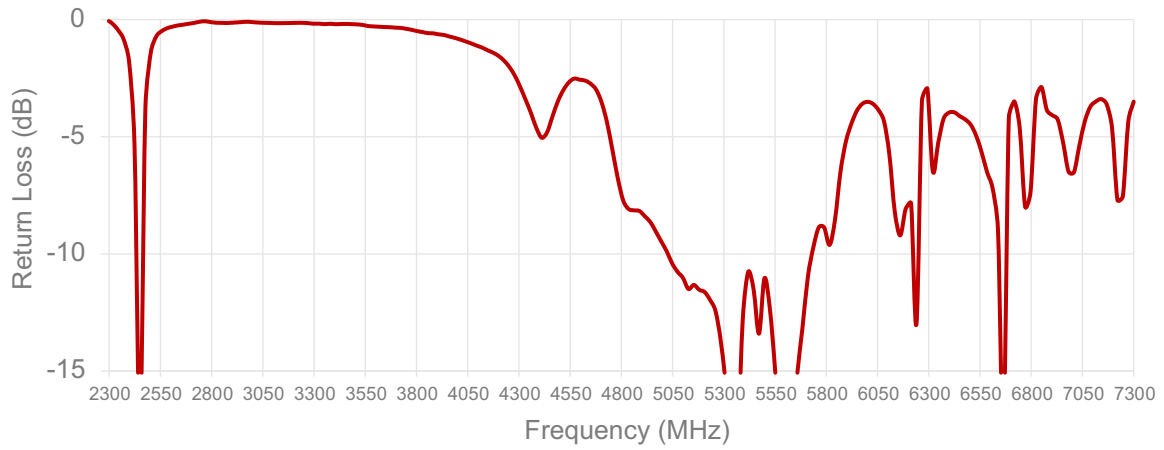
Mounted on Ground Plane of 70 x 70 mm

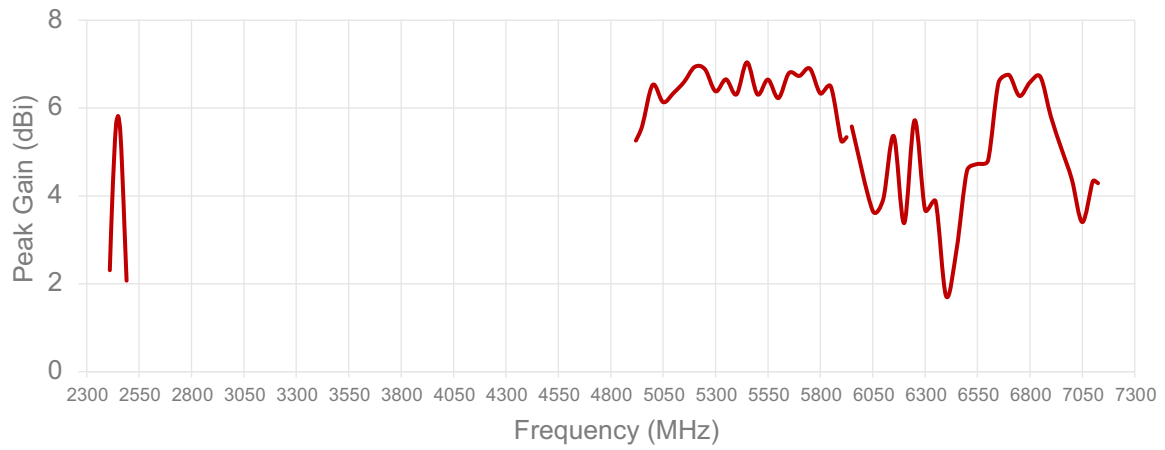
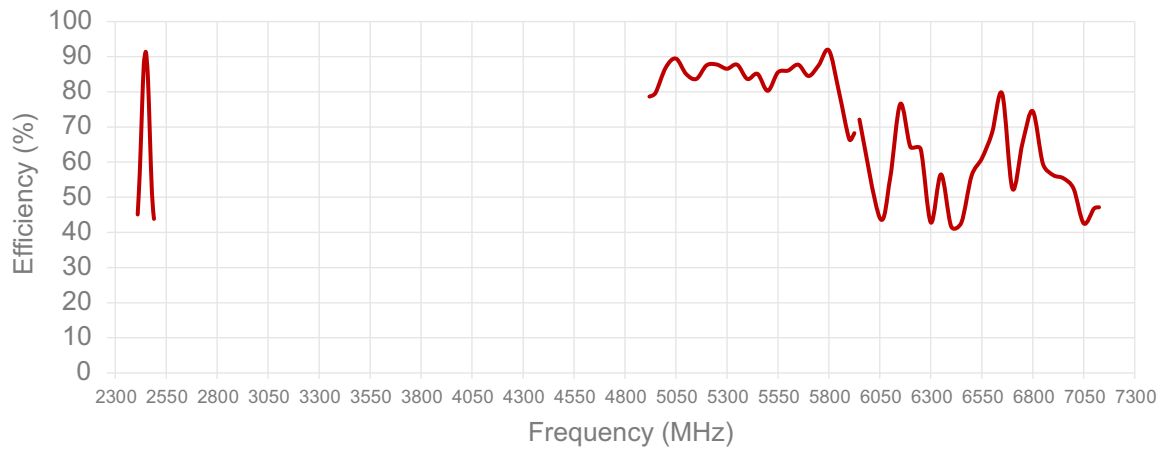
Measured in Certified CTIA 3D Anechoic Chamber

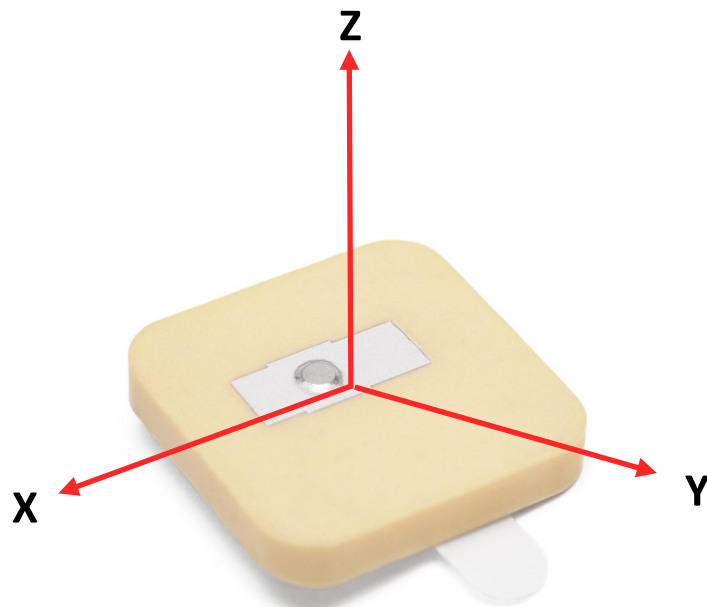
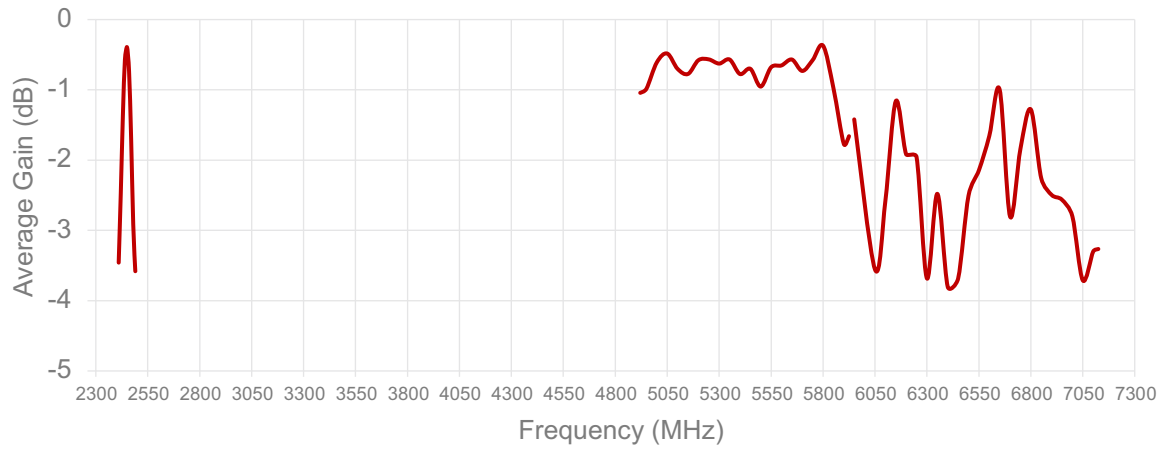
2. Mechanical and environmental specifications

Specifications	2JCP2540202c
Mounting Type	Thru-Hole Mount
Adhesive	Nitto 5000NS
Dimensions (mm)	25 x 25 x 4
Operating Temperature (C)	-40 to +85
Storage Temperature (C)	-40 to +85
Substance Compliance	RoHS

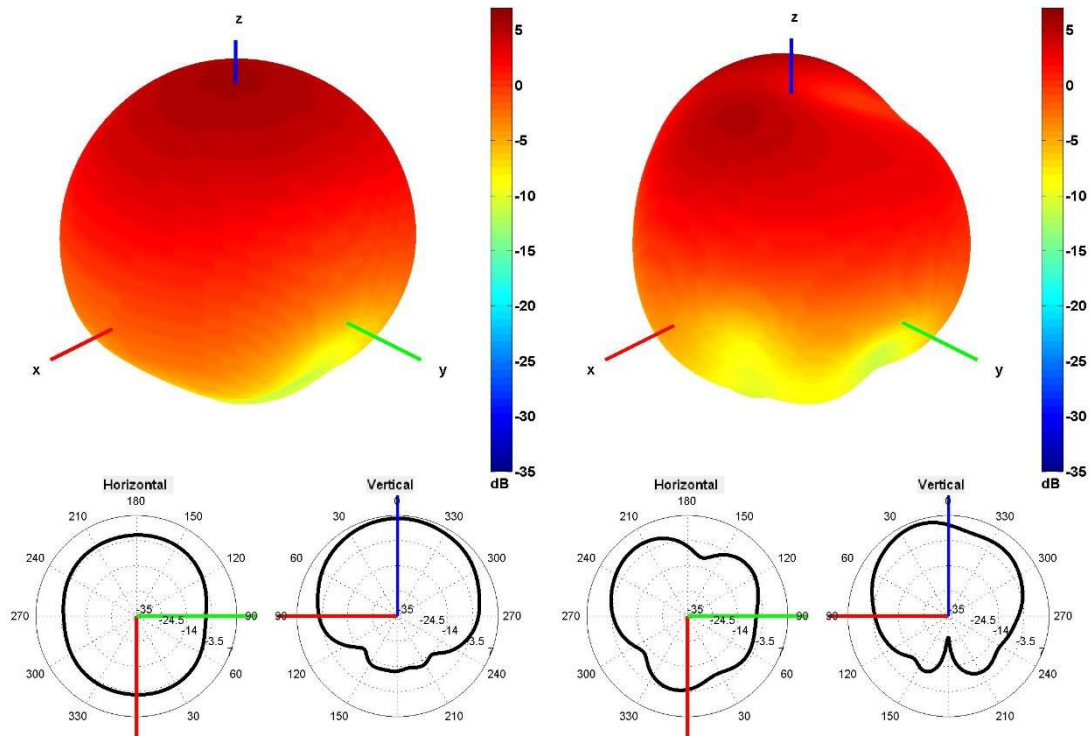
3. Antenna parameters



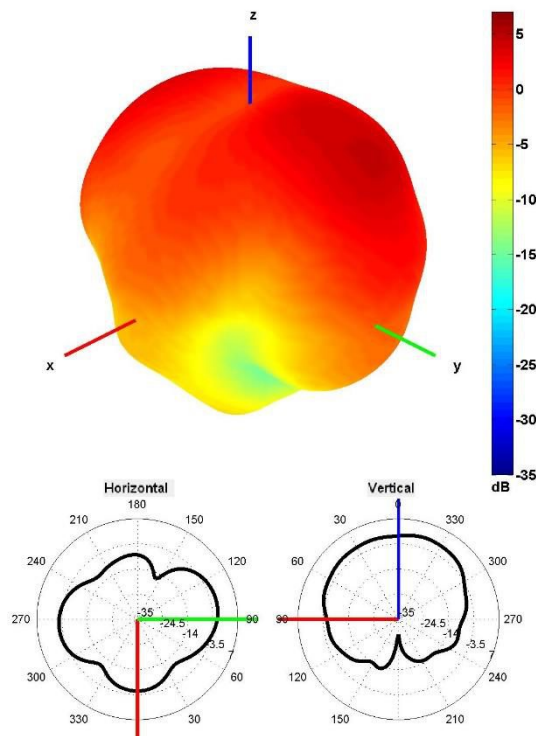




Radiation pattern reference

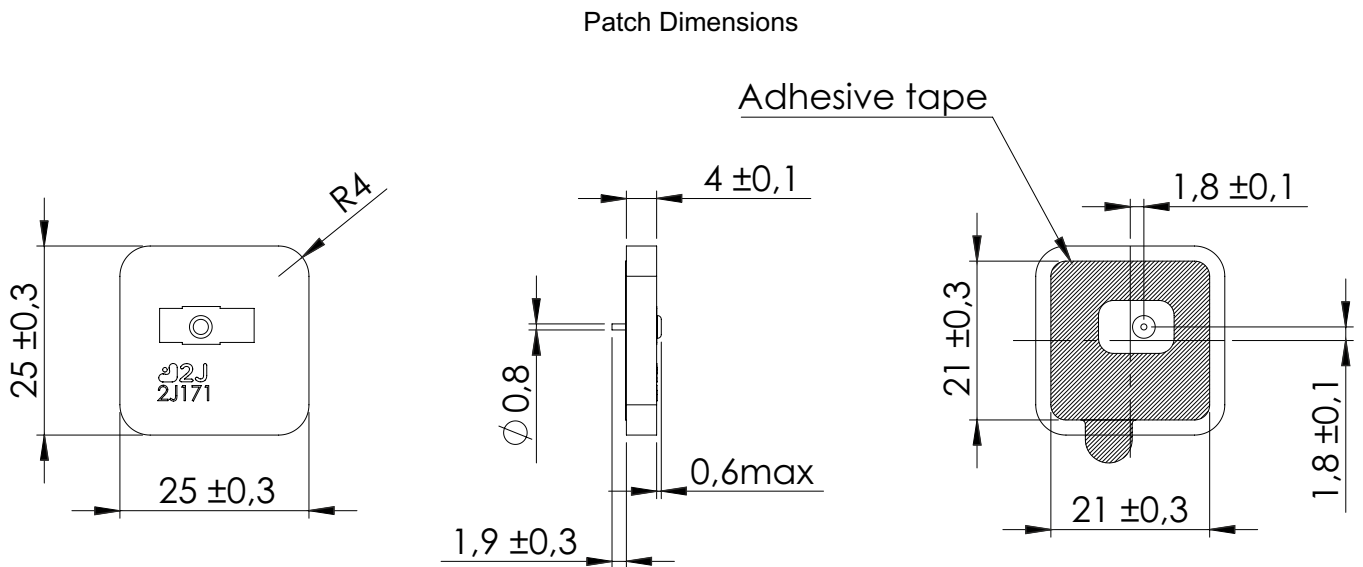


2450 and 5500 MHz Radiation pattern

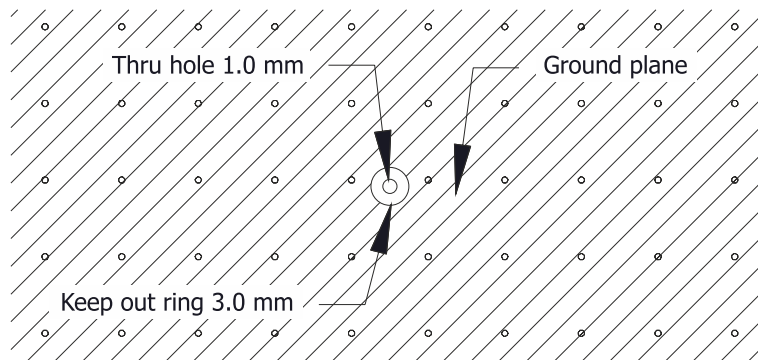


6500 MHz Radiation pattern

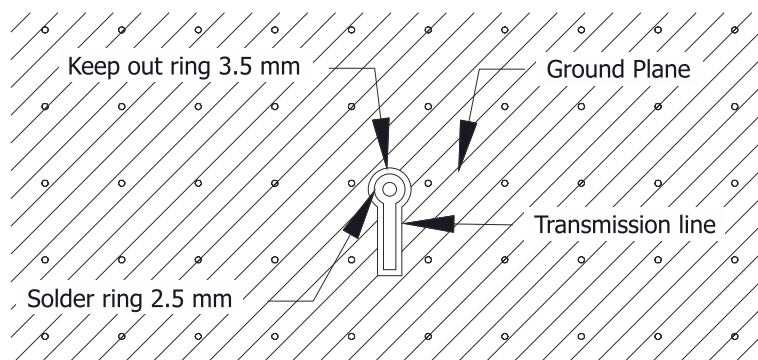
4. Antenna drawings



Layout for top layer



Layout for bottom layer



5. Antenna Images

