

2JCP1841501c

868 MHz ISM Ceramic Thru-Hole Mount

Key Features

868 MHz ISM
- 863-870 MHz
Thru-Hole Mount
High Grade Ceramic
Small Size
Ground Plane Dependent
Dimensions 18 x 18 x 4 mm



1. Antenna and electrical specifications

Parameters	868 MHz ISM Antenna
Standards	ZigBee, ISM, SigFox, LoRa
Band (MHz)	868
Frequency (MHz)	863-870
Return Loss (dB)	~-8.8
VSWR	~1.9:1
Peak Gain (dBi)	~-6.4
Impedance (Ohm)	50
Polarisation	Linear
Radiation Pattern	Hemispherical
Axial Ratio (dB)	3 max
Polarization	RHCP

Antenna Measurement Conditions:

Free Space

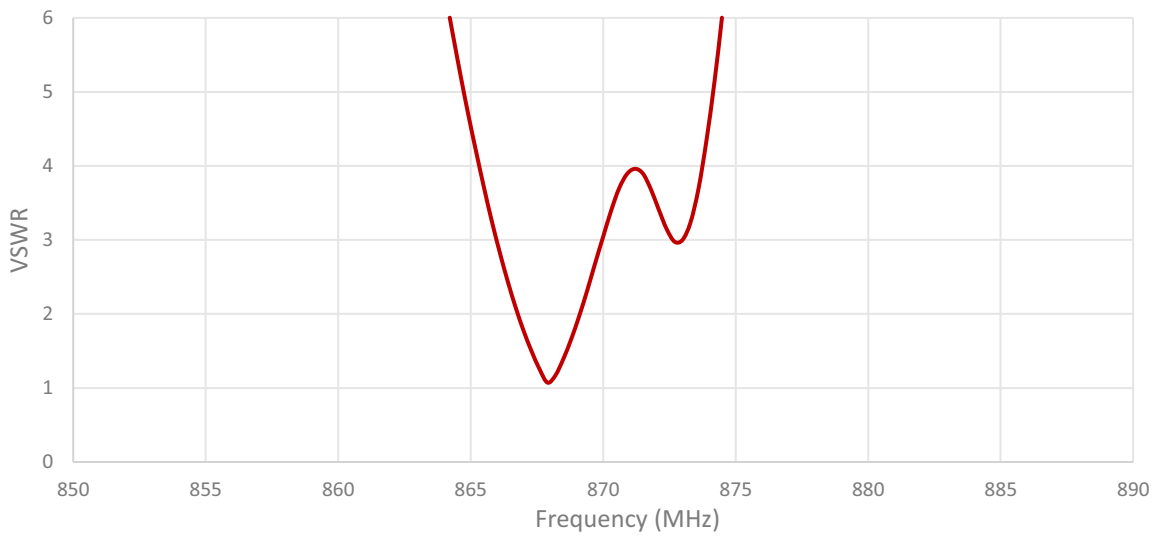
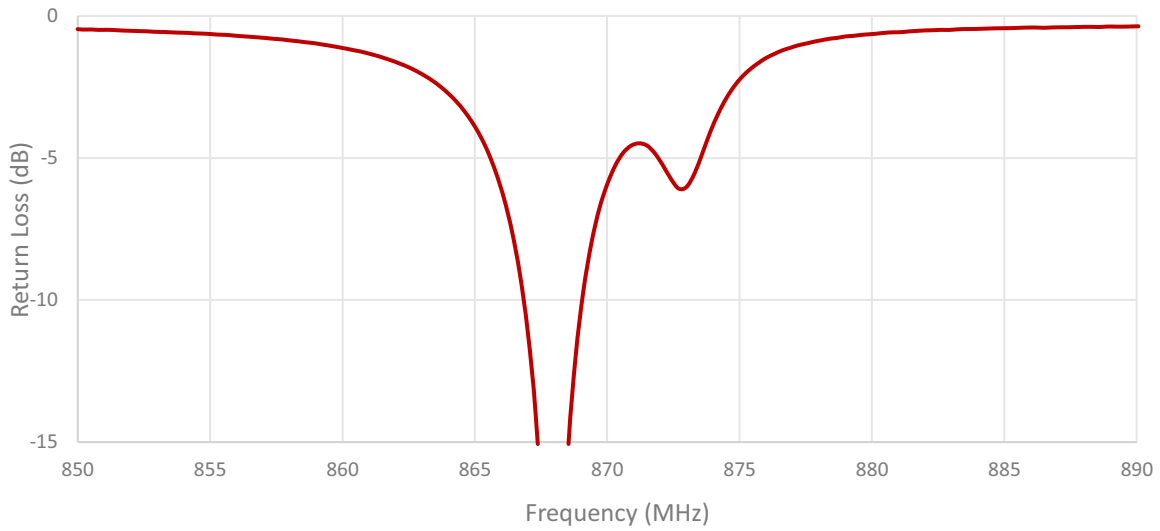
Mounted on Ground Plane of 70 x 70 mm

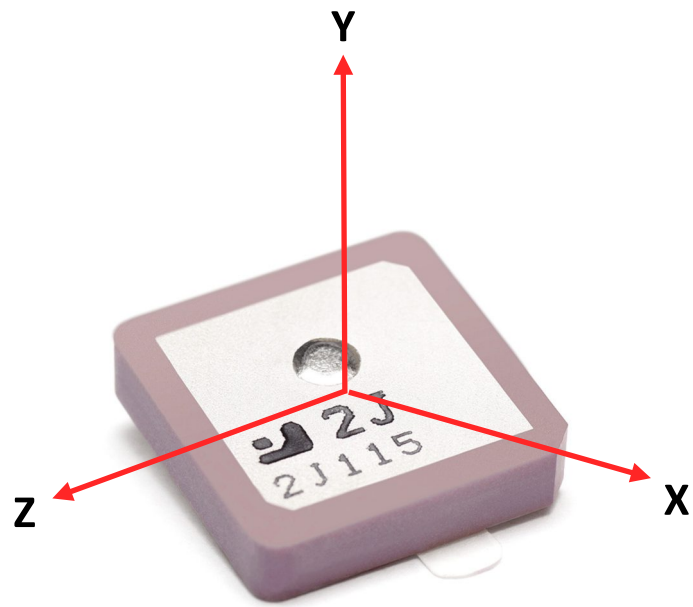
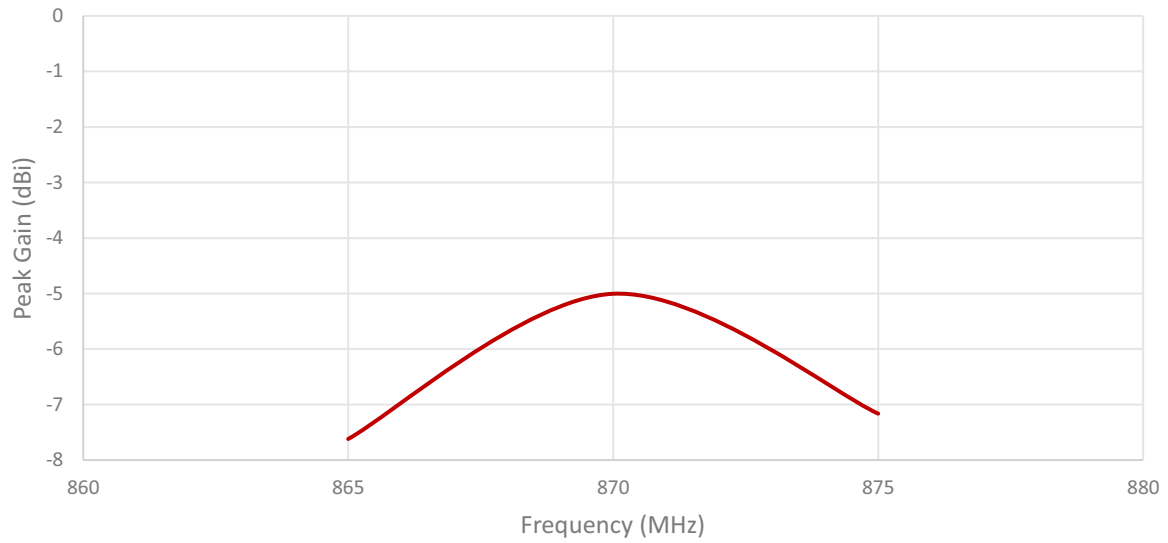
Measured in Certified CTIA 3D Anechoic Chamber

2. Mechanical and environmental specifications

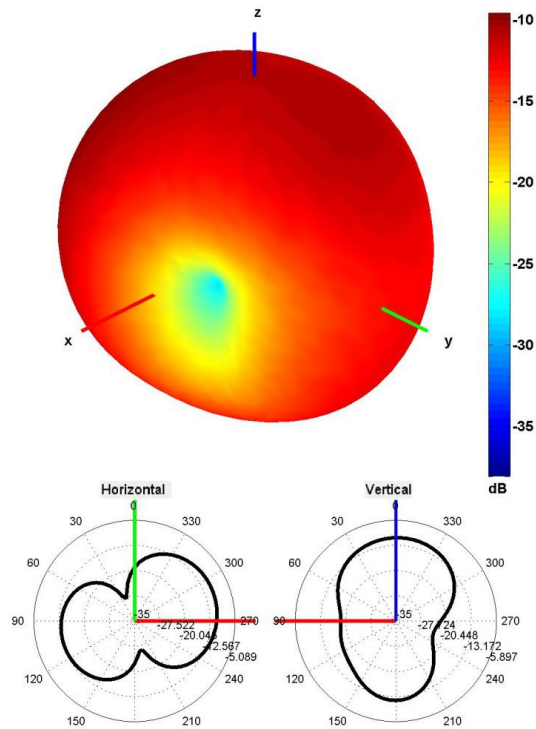
Specifications	2JCP1841501c
Mounting Type	Thru-Hole Mount
Adhesive	Nitto 5000NS
Dimensions (mm)	18 x 18 x 4
Operating Temperature (C)	-40 to +85
Storage Temperature (C)	-40 to +85
Substance Compliance	RoHS

3. Antenna parameters



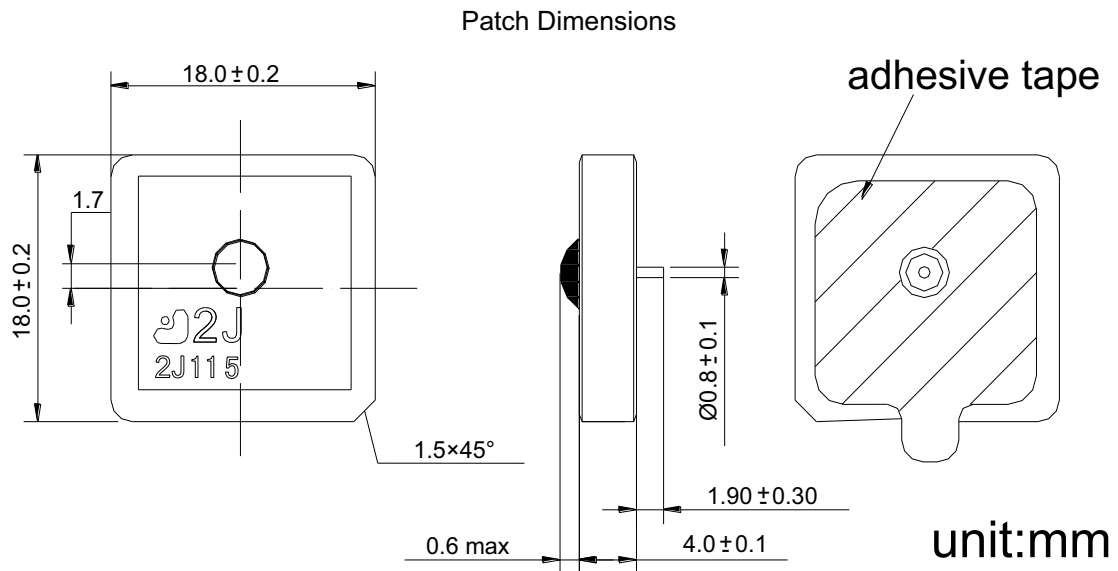


Radiation pattern reference

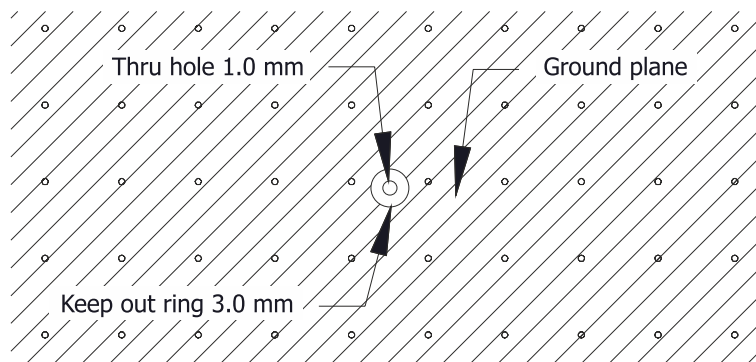


868 MHz Radiation pattern

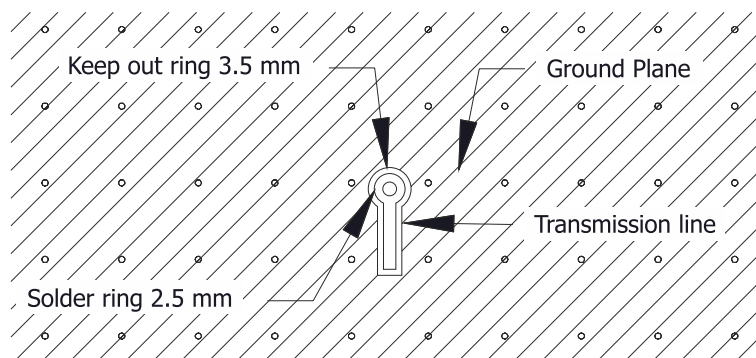
4. Antenna drawings



Layout for top layer



Layout for bottom layer



5. Antenna Images

