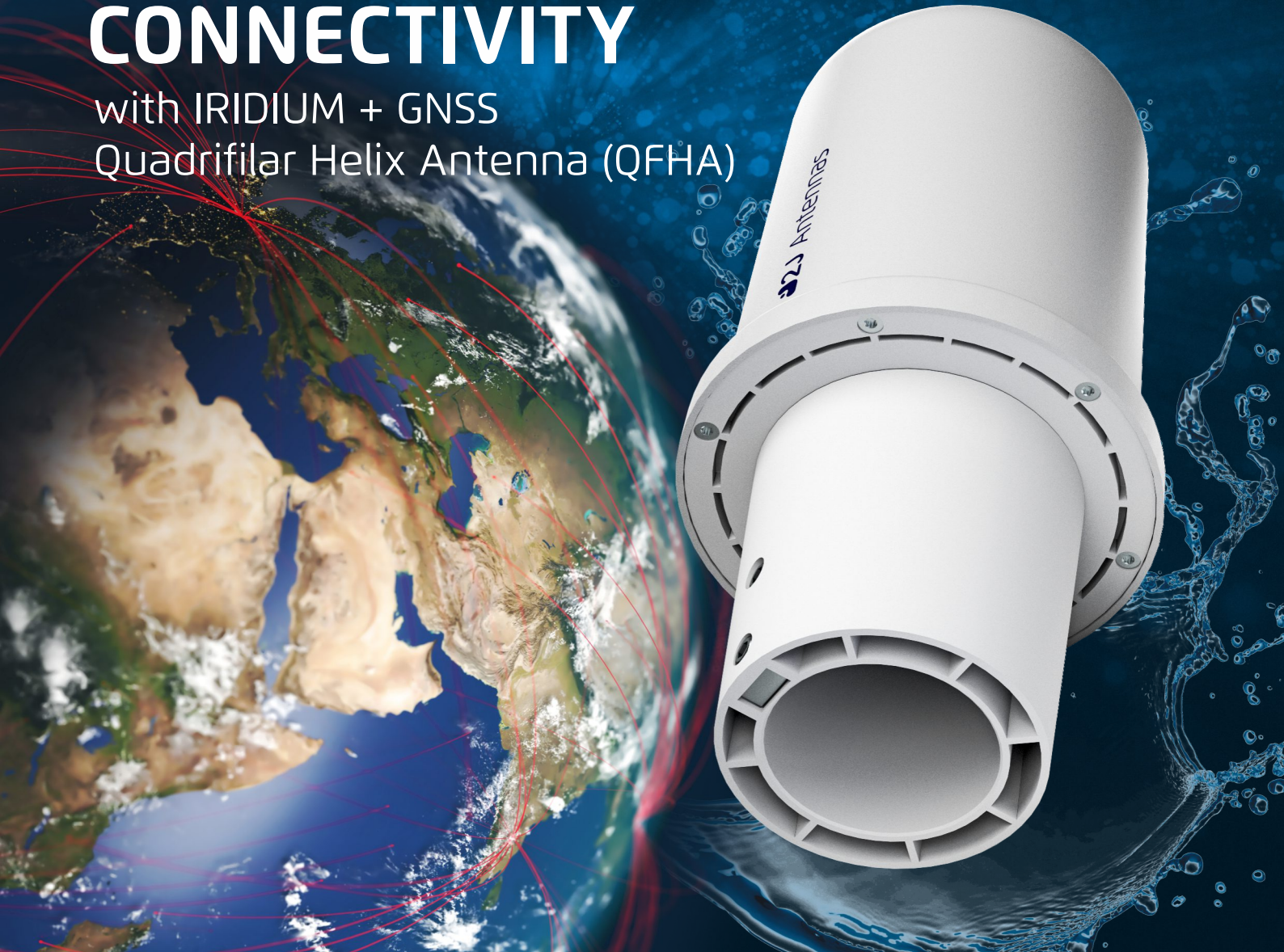


ENHANCE SUPERIOR CONNECTIVITY

with IRIDIUM + GNSS
Quadrifilar Helix Antenna (QFHA)



2J7B34JBC-C177N-B16J "BIG MEDUSA Series" antenna

High Performance, superb RHCP, omnidirectional IRIDIUM + GNSS antenna for satellite communication and reliable navigation around the World. Lightweight, ground plane independent passive antenna with 3.2 dBi Peak Gain and Axial ratio below 3 dB. Heavy Duty IK09 and water resistant IP67 and IP69 for all marine and land environments. Various mounting options for screw and pole mount installation



1. Antenna and electrical specifications

Parameters	IRIDIUM + GNSS QUADRIFILAR HELIX Antenna			
	BeiDou	GPS/QZSS/Galileo	GLONASS	Iridium
Standards				
Bands (MHz)	1561	1575	1602	1621
Frequency (MHz)	1561.098	1575.42	1598-1606	1616-1627
Return Loss (dB)	~ -20.6	~ -22.7	~ -25.8	~ -24.6
VSWR	~ 1.2:1	~ 1.2:1	~ 1.1:1	~ 1.1:1
Efficiency (%)	~ 93.2	~ 93.2	~ 96.0	~ 96.1
Peak Gain (dBi)	~ 3.1	~ 3.1	~ 3.1	~ 3.2
Impedance (Ohms)	50			
Axial Ratio (dB)	3 dB max			
Radiation Pattern	Omni-Directional			
Polarization	RHCP			
Connector Type	N-Female Standard			

Antenna Measurement Conditions:

Free space

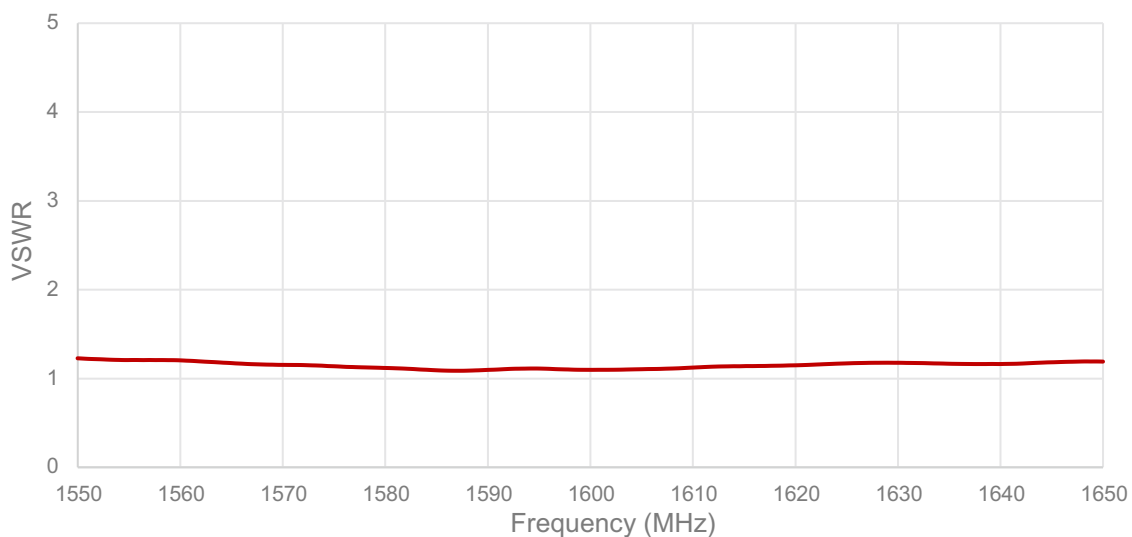
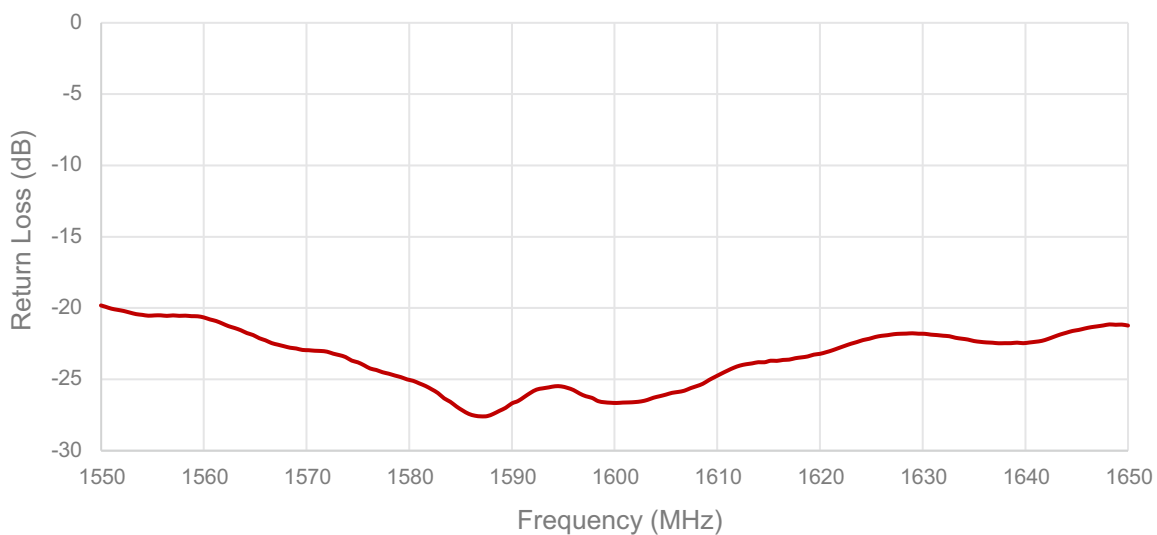
Measured in Certified CTIA 3D Anechoic Chamber

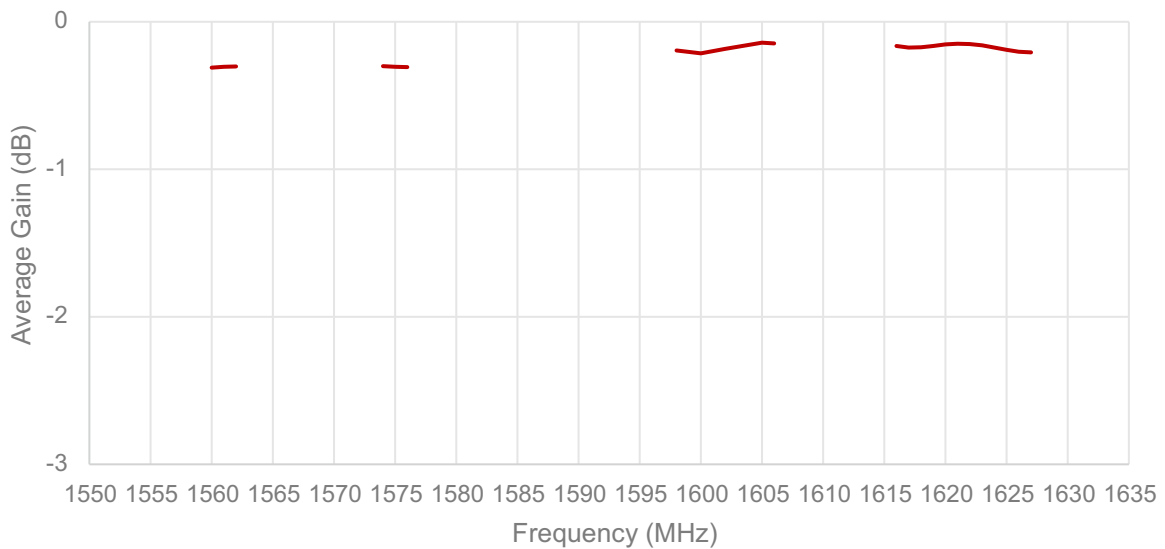
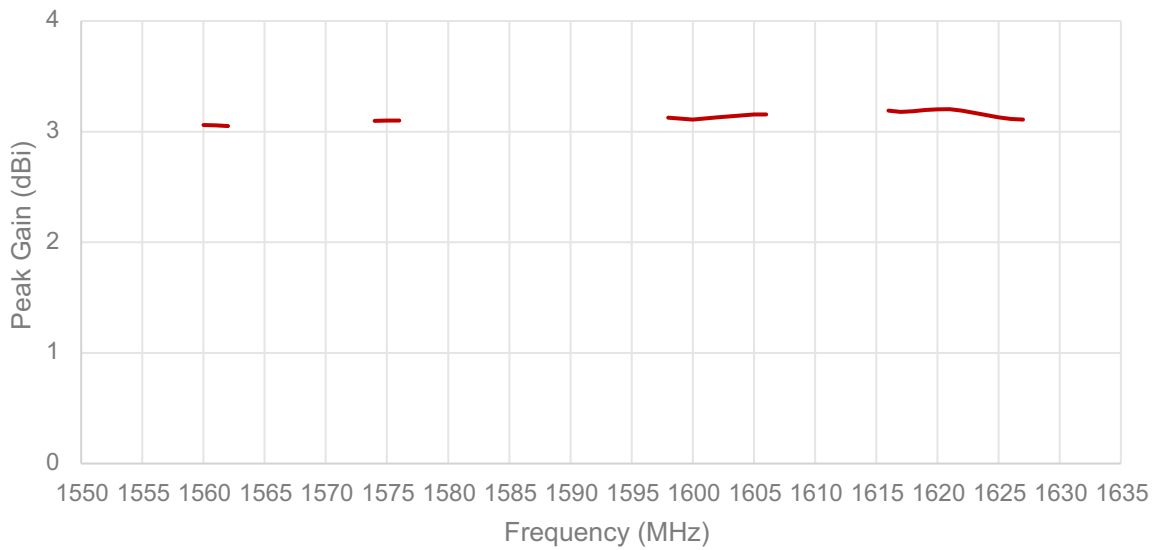
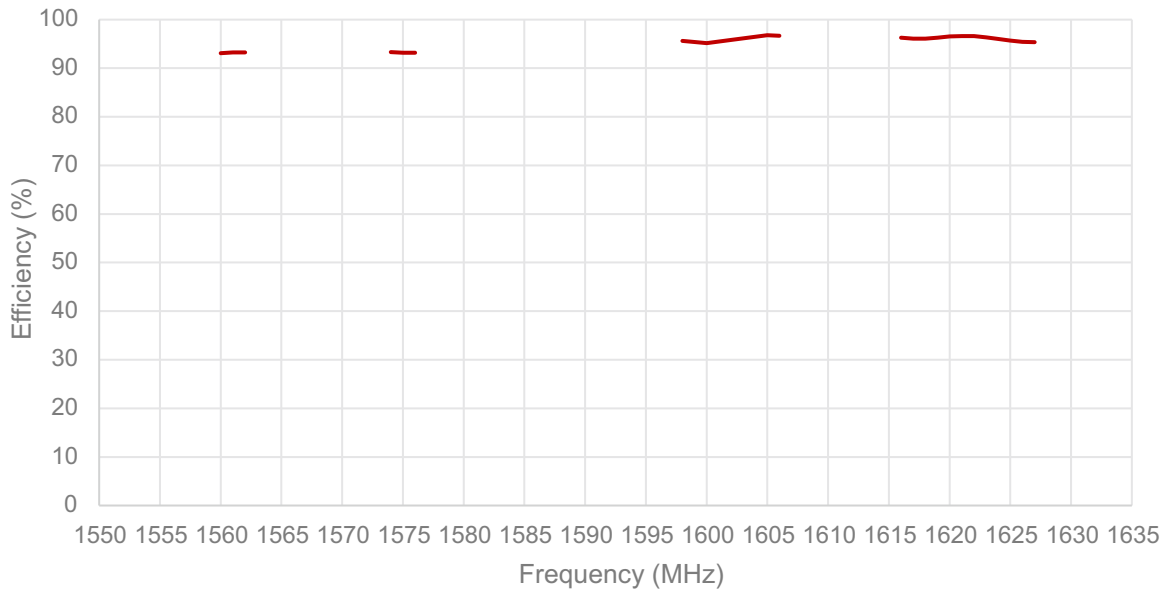
2. Mechanical and environmental specifications

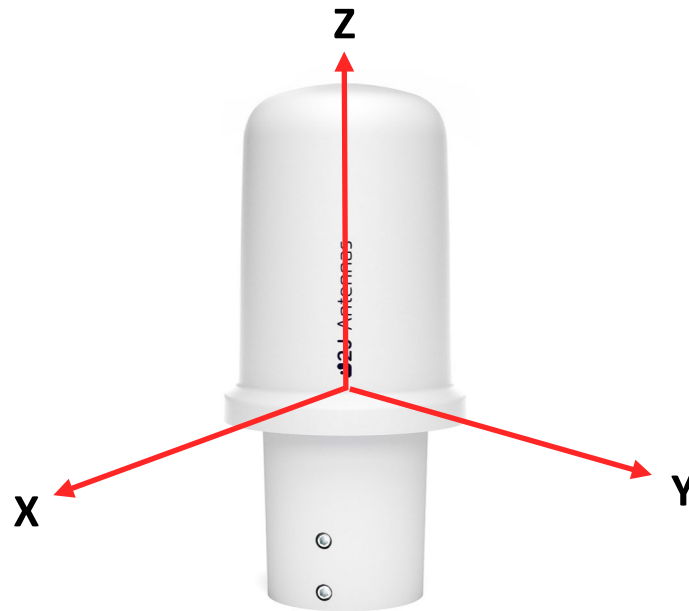
Specifications	2J7B34JBC-C177N-B16J
Mounting Type	Pole (for pole with max Ø 43mm) / Screw Mount (max 7mm surface thickness)
Dimensions (mm)	Ø 96 x H 200 - Pole Mount / Ø 96 x H 131 - Screw Mount
Max. Tighten Torque (Nm)	6 Nm (for Screw Mount)
Radome	ASA
Radome color	White, Black
Antenna Base	ASA
Operating Temperature (C)	-40 to +85
Storage Temperature (C)	-40 to +85
Substance Compliance	RoHS
Certificates	IP67, IP69, IK09

3. Antenna parameters

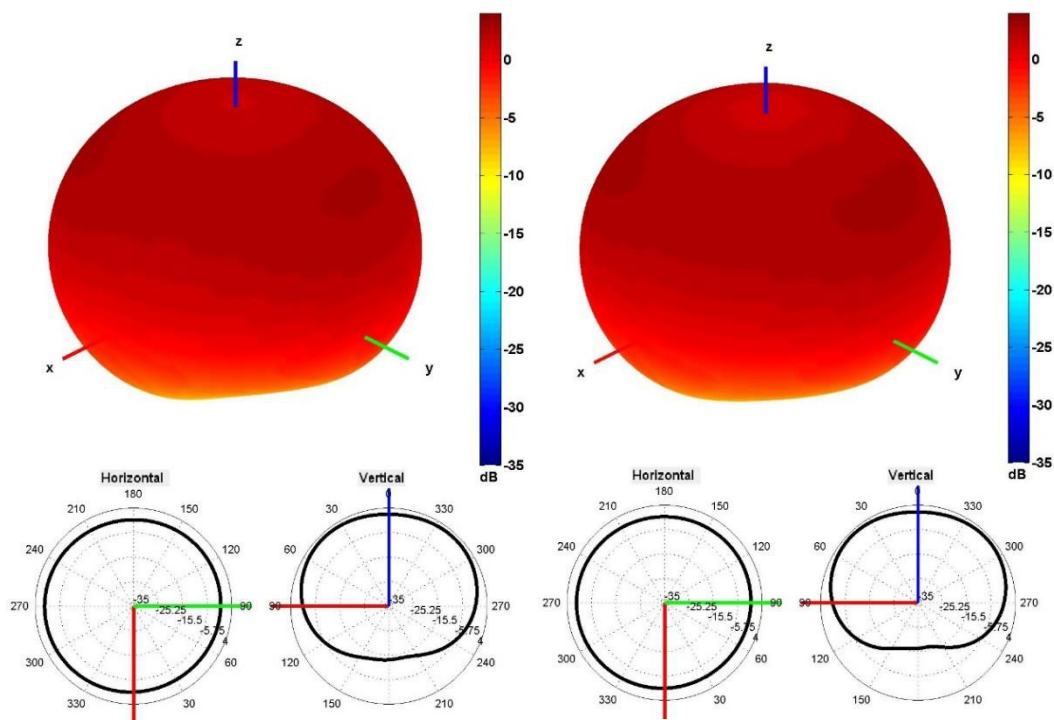
Connection 1: Iridium + GNSS



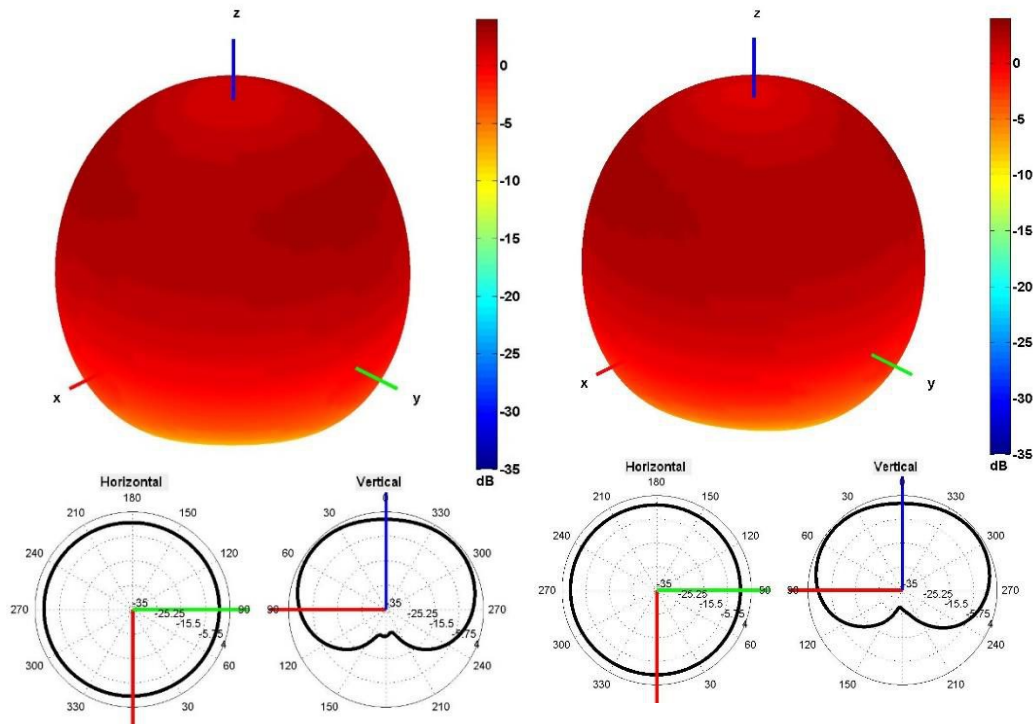




Radiation pattern reference



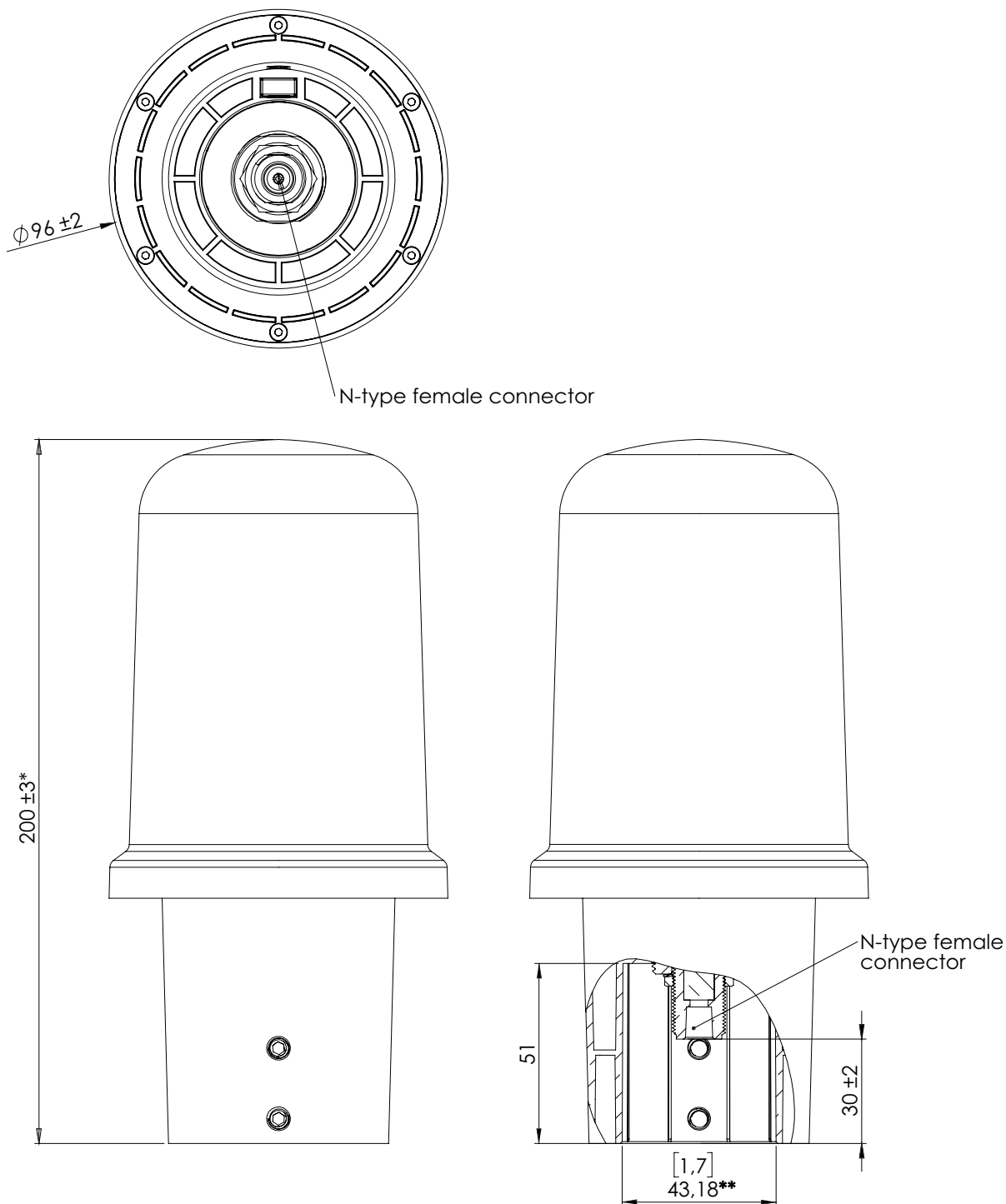
1561 and 1575MHz Radiation pattern



1602 and 1621MHz Radiation pattern

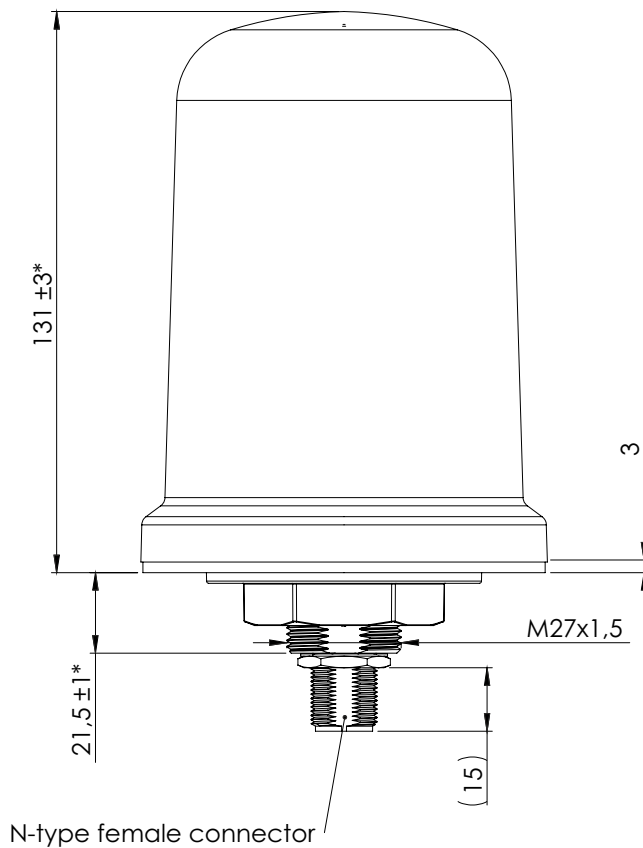
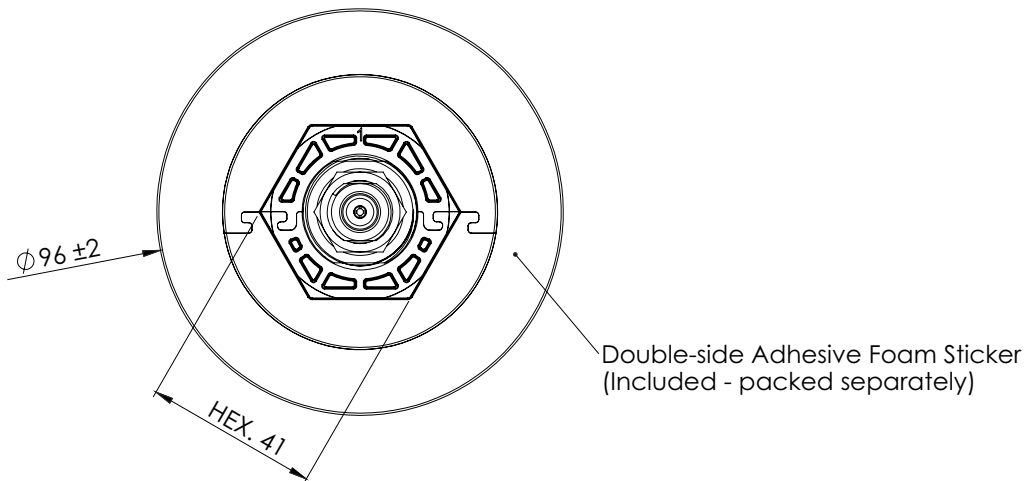
4. Antenna drawings

Pole Mount option using 2JB16J Bracket

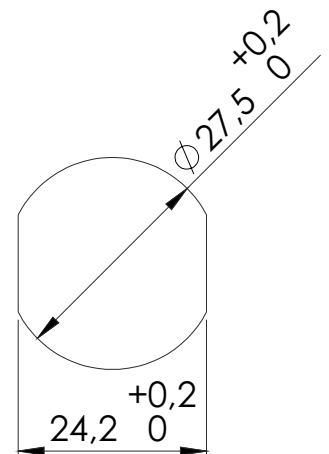


Note: Dimensions are in millimeters
***Dimensions are after mounting**
****Mounting for pole $\phi 43$ mm**

Screw Mount option



Mounting hole



Note: Dimensions are in millimeters
***Dimensions are after mounting**
Max. mounting thickness 7mm
****Mounting Torque= 6 Nm**

5. Antenna Images

