

# 2J6902B

2.4/5.0/6.0 GHz ISM Screw Mount

## Key Features

### Cable 1: 2.4/5.0/6.0 GHz ISM

- 2410-2490 MHz
- 4920-5925 Mhz
- 5925-7125 MHz

Screw Mount

Anti-Rotation Mounting

High Performance

Ground Plane Independent

Customizable Cable and Connector

Dimensions 80 × 74 × 25.6 mm

Certificates: IP67, IP69



## 1. Antenna and electrical specifications

Cable 1

Parameters	2.4/5.0/6.0 GHz ISM Antenna		
<b>Standards</b>	WiFi, BT, ZigBee, ISM		
<b>Band (MHz)</b>	2.4 GHz	5.0 GHz	6.0 GHz
<b>Frequency (MHz)</b>	2410-2490	4920-5925	5925-7125
<b>Return Loss (dB)</b>	~-9.6	~-13.1	~-13.1
<b>VSWR</b>	~2.0:1	~1.6:1	~1.6:1
<b>Efficiency (%)</b>	~42.2	~47.2	~45.0
<b>Peak Gain (dBi)</b>	~-5.2	~-5.2	~-5.1
<b>Average Gain (dB)</b>	~-3.8	~-3.3	~-3.3
<b>Impedance (Ohm)</b>	50		
<b>Polarisation</b>	Linear		
<b>Radiation Pattern</b>	Omni-Directional		
<b>Max. Input Power (W)</b>	25		
<b>Connector Type</b>	SMA-Male RP Standard (Other Connectors Available)		
<b>Cable Length</b>	300 cm Standard (Any Cable Length Available)		
<b>Cable Type</b>	D302 Standard (Other Cables Available)		

### Antenna Measurement Conditions:

Mounted on Ground Plane of 30x30 cm

100 cm of D302 Cable

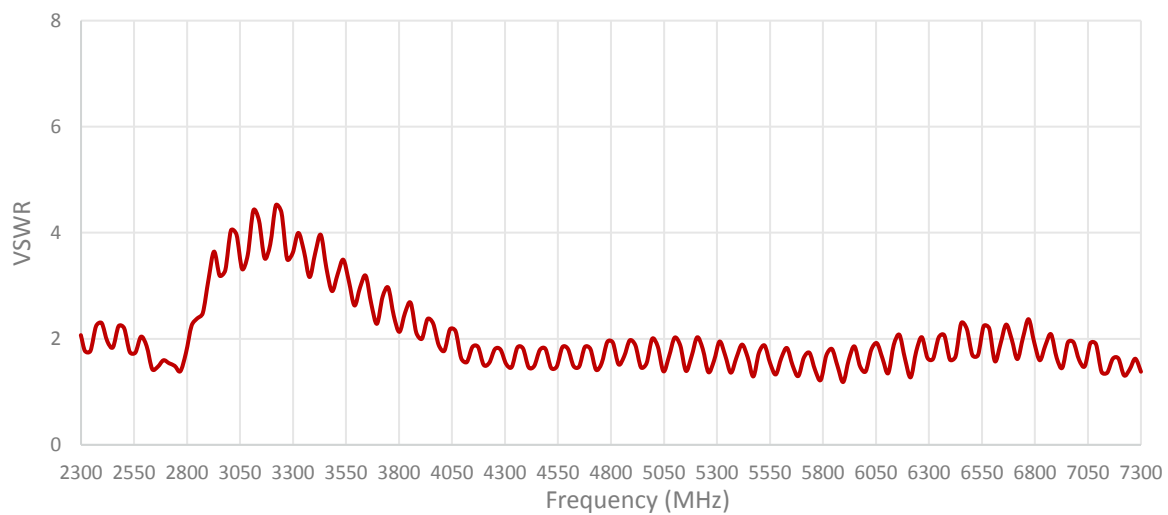
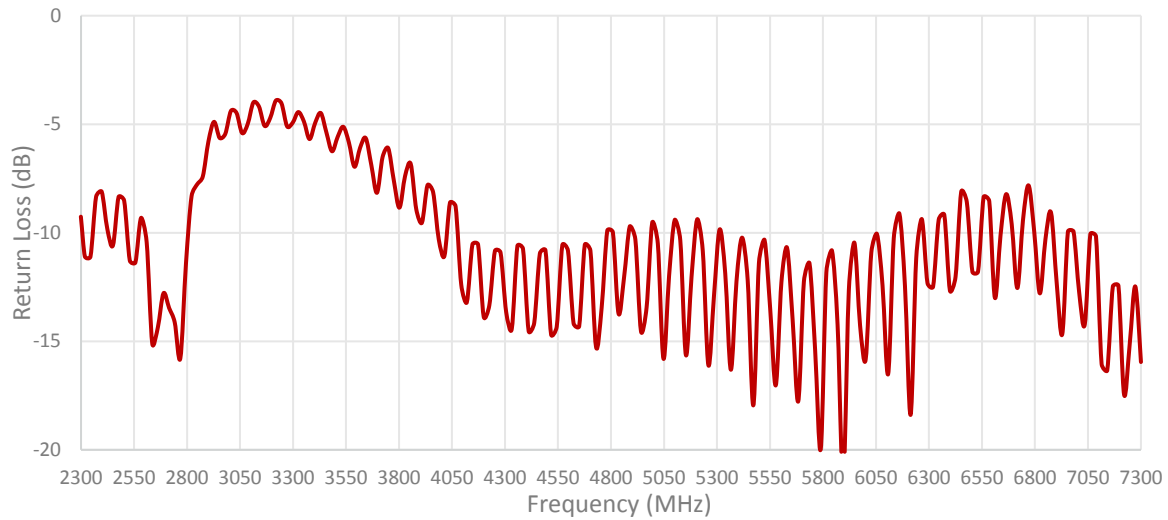
Measured in Certified CTIA 3D Anechoic Chamber

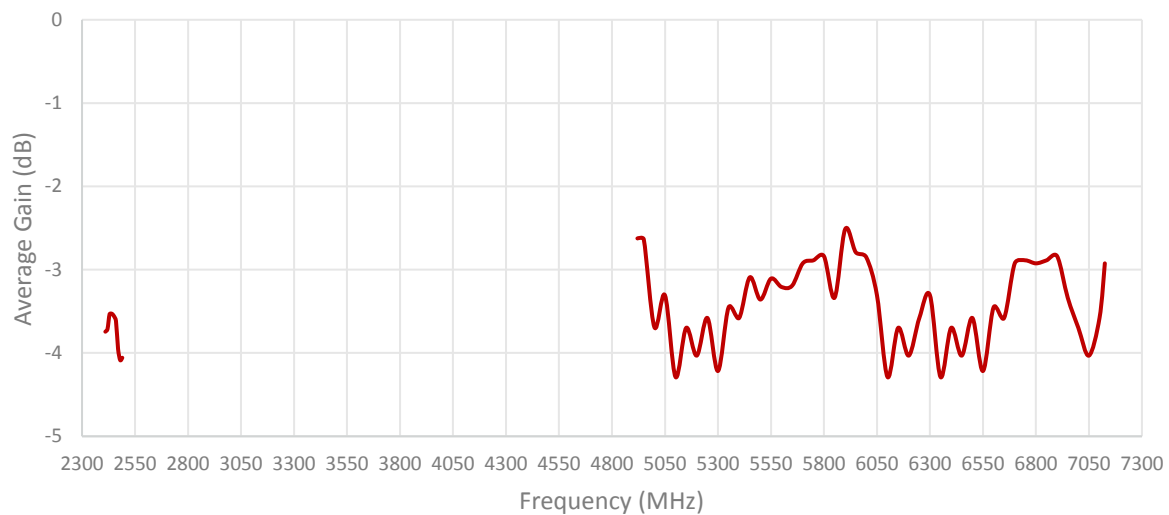
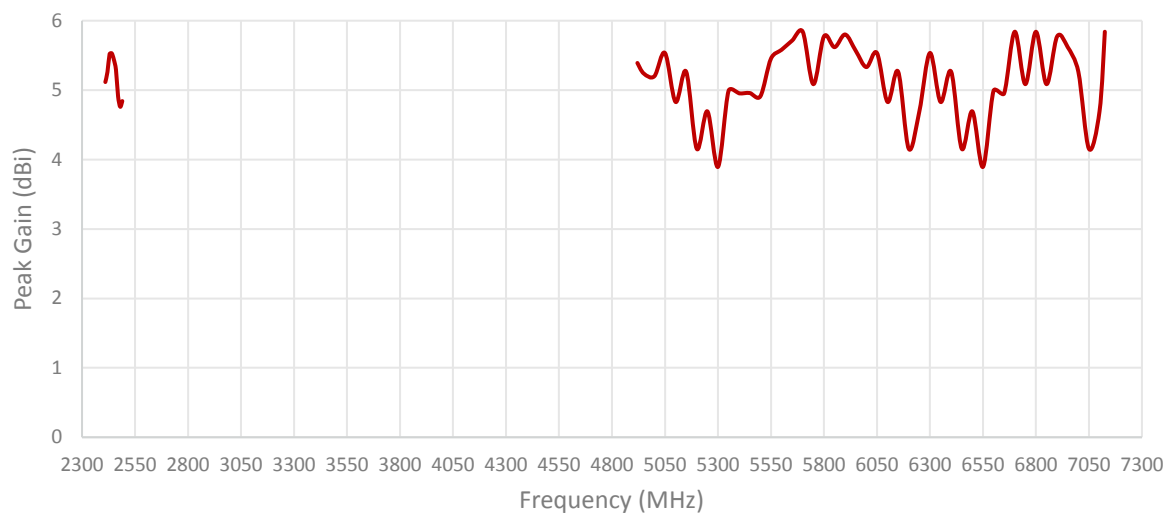
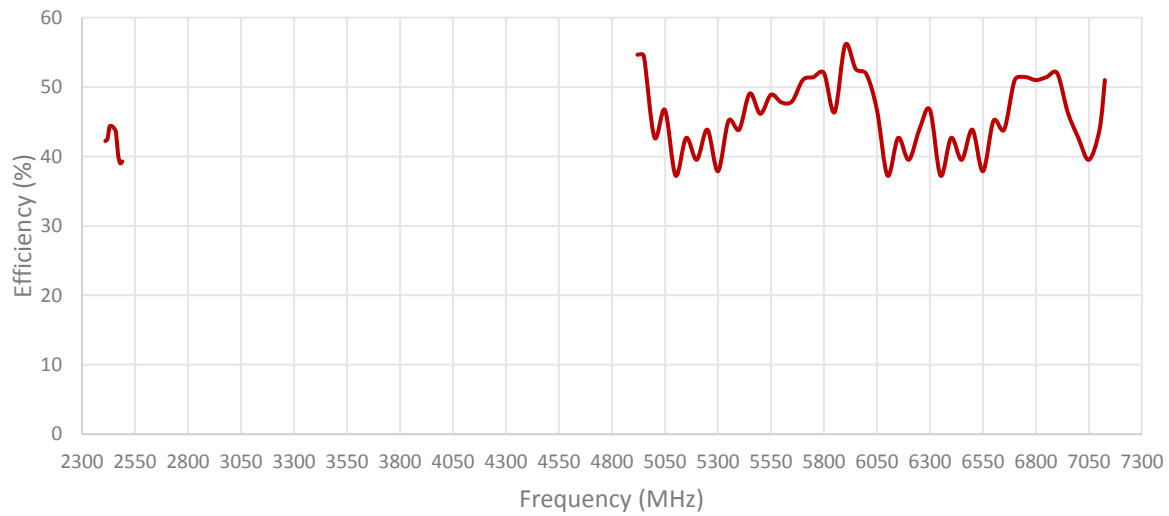
## 2. Mechanical and environmental specifications

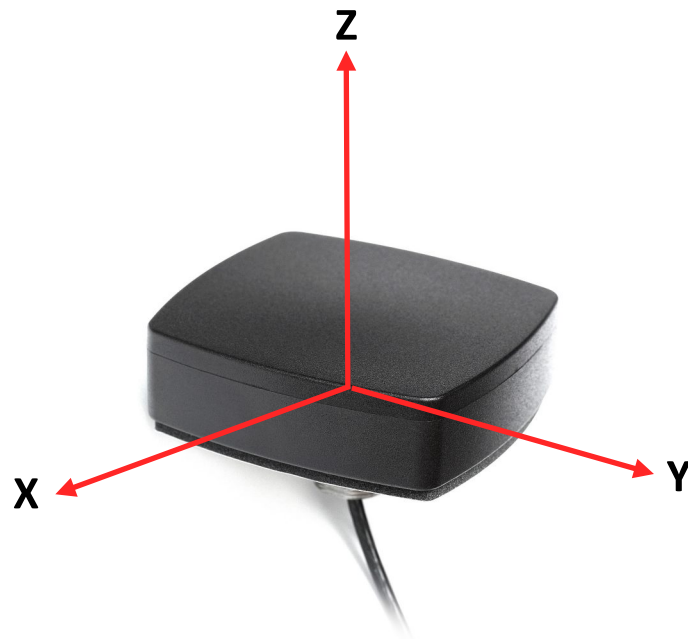
Specifications	2J6902B
<b>Mounting Type</b>	Screw Mount
<b>Dimensions (mm)</b>	80 x 74 x 25.6
<b>Max. Tighten Torque (Nm)</b>	5 Nm
<b>Radome Type</b>	ASA
<b>Radome Color</b>	Black, White
<b>Operating Temperature (C)</b>	-40 to +85
<b>Storage Temperature (C)</b>	-40 to +85
<b>Substance Compliance</b>	RoHS
<b>Certificates</b>	IP67, IP69

## 3. Antenna parameters

Cable 1: 2.4/5.0/6.0 GHz ISM

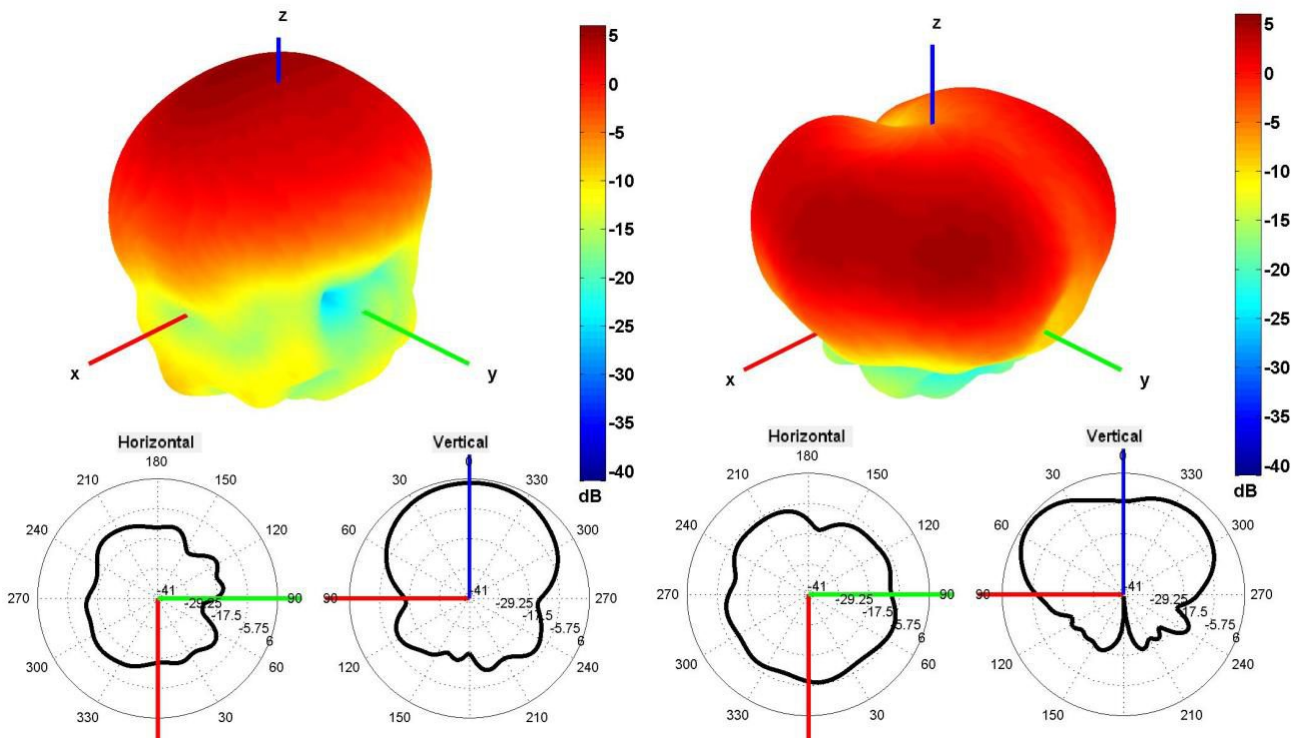




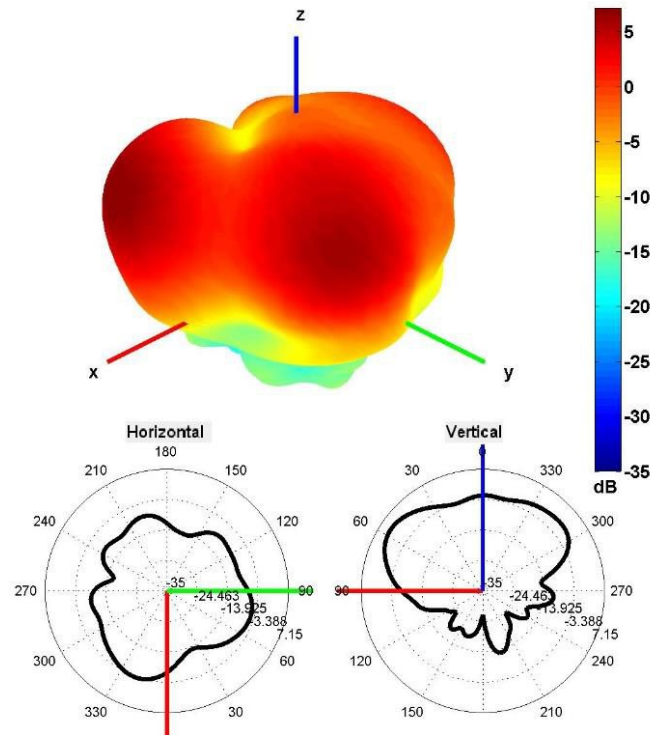


Radiation pattern reference

Table 1: 2.4/5.0/6.0 GHz ISM

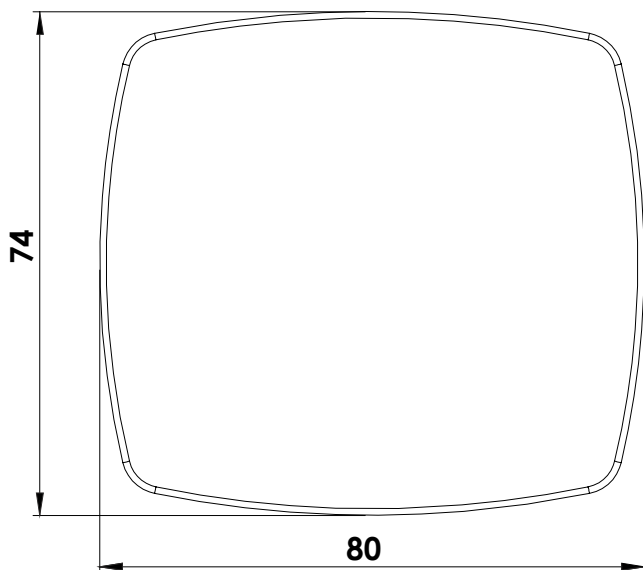
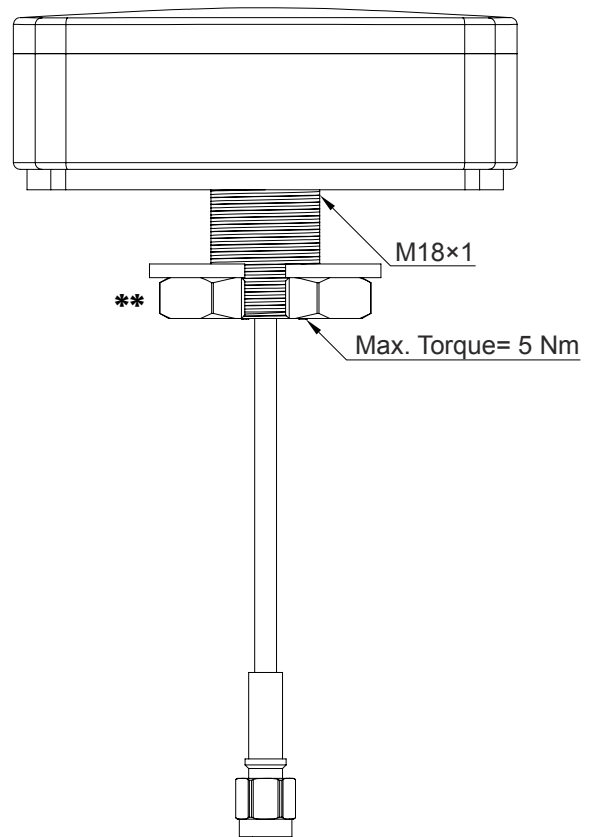
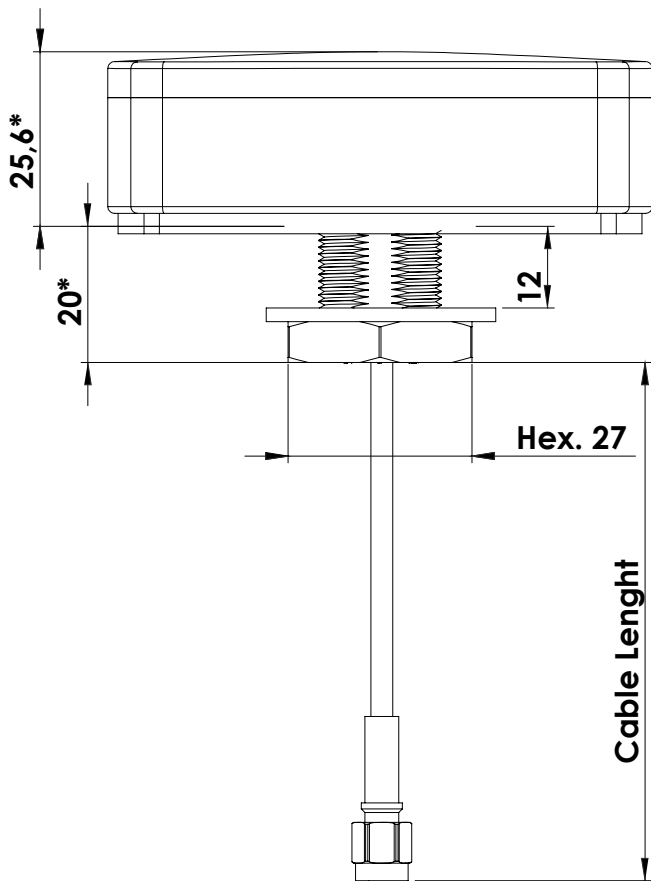


2450 and 5500 MHz Radiation pattern

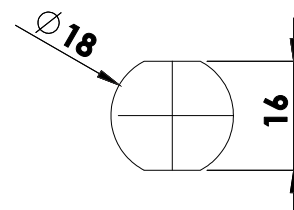


6500 MHz Radiation pattern

## 4. Antenna drawings



### Mounting hole



Max. mounting thickness 12mm  
 Note: Dimensions are in millimeters  
 \*Dimensions are after mounting  
 \*\*Max. Torque= 5 Nm

## 5. Antenna Images

