

2J6039BGF

868/915 MHz ISM and GNSS Screw Mount

Key Features

Cable 1: 868/915 MHz ISM

- 863-870 MHz

- 902-928 MHz

Cable 2: GPS/GLONASS/QZSS/Galileo

- 1575-1606 MHz

Screw Mount

Ground Plane Independent

Customizable Cable and Connector

Dimensions 80 x 74 x 14.7 mm



Note: 19mm Thread is Default Option. See Drawing for other Thread Options available.



1. Antenna and electrical specifications

Cable 1

Parameters	868/915 MHz ISM Antenna	
Standards	ZigBee, ISM, SigFox, LoRa	
Band (MHz)	868	915
Frequency (MHz)	863-870	902-928
Return Loss (dB)	~-7.1	~-5.1
VSWR	~2.6:1	~3.5:1
Efficiency (%)	~40.8	~40.7
Peak Gain (dBi)	~-1.3	~-1.6
Average Gain (dB)	~-4.0	~-4.0
Impedance (Ohm)	50	
Polarisation	Linear	
Radiation Pattern	Omni-Directional	
Max. Input Power (W)	25	
Connector Type	SMA-Male Standard (Other Connectors Available)	
Cable Length	300 cm Standard (Any Cable Length Available)	
Cable Type	D302 Standard (Other Cables Available)	

Cable 2

Parameters	GPS/GLONASS Antenna	
Standard	GPS/QZSS/Galileo	GLONASS
Band (MHz)	1575	1602
Frequency (MHz)	1575.42	1598-1606
Patch Size (mm)	25 x 25 x 4	
Return Loss (dB)	<=-15.0 dB	
VSWR	<=1.4:1 dB	
Impedance	50	
Radiation Pattern	Hemispherical	
Polarization	RHCP	
Saw Filter	Pre-filter	
Active Gain (dB)	28 @ 2.7 V	
Noise Figure (dB)	1.5 Typ	
Voltage (V)	1.5 – 3.6	
Current (mA)	9 Typ	
Power Consumption (mW)	24.3 Typ	
ESD Protection (kV)	2kV	
Connector Type	SMA-Male Standard (Other Connectors Available)	
Cable Length	300 cm Standard (Any Cable Length Available)	
Cable Type	LL100 Standard (Other Cables Available)	

Antenna Measurement Conditions:

Mounted on 30 x 30 x 0.25 cm Metal Plate

200 cm of Cable D302

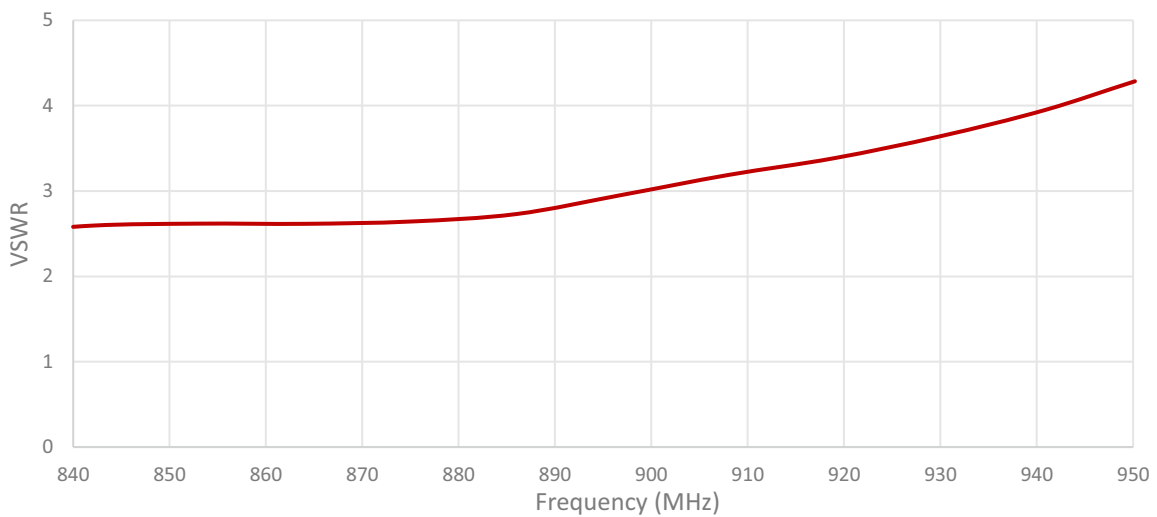
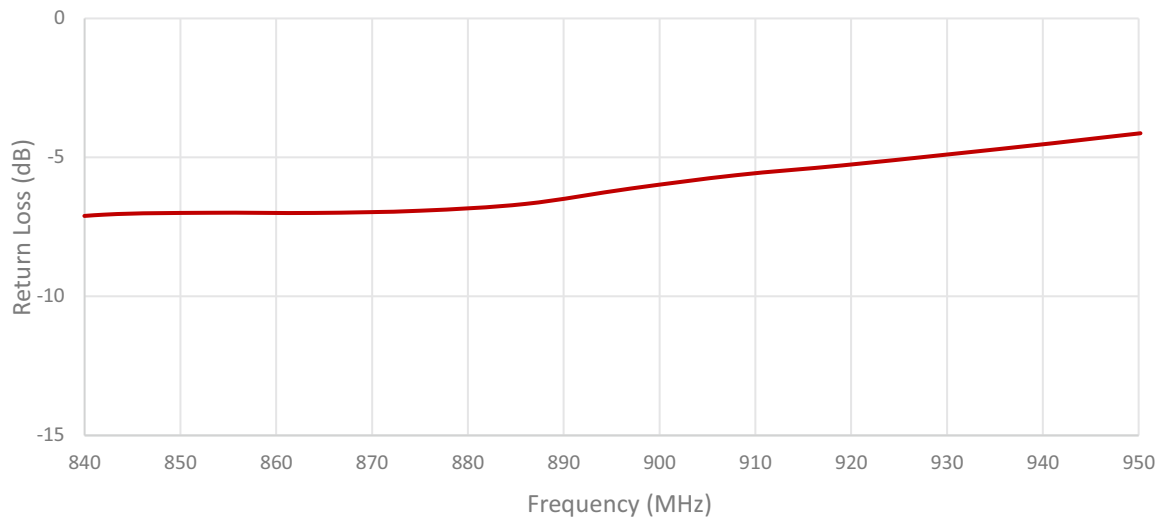
Measured in Certified CTIA 3D Anechoic Chamber

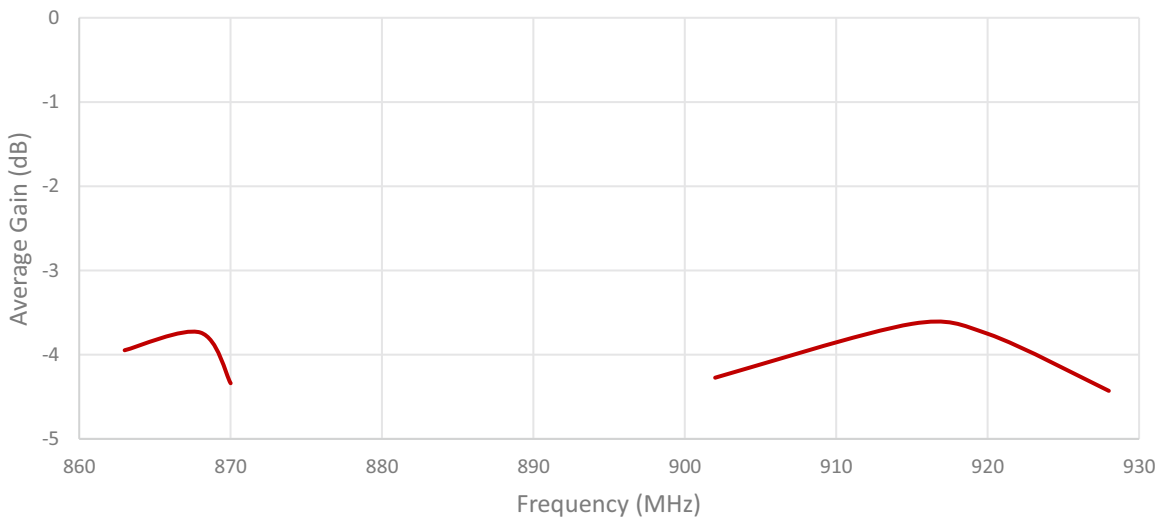
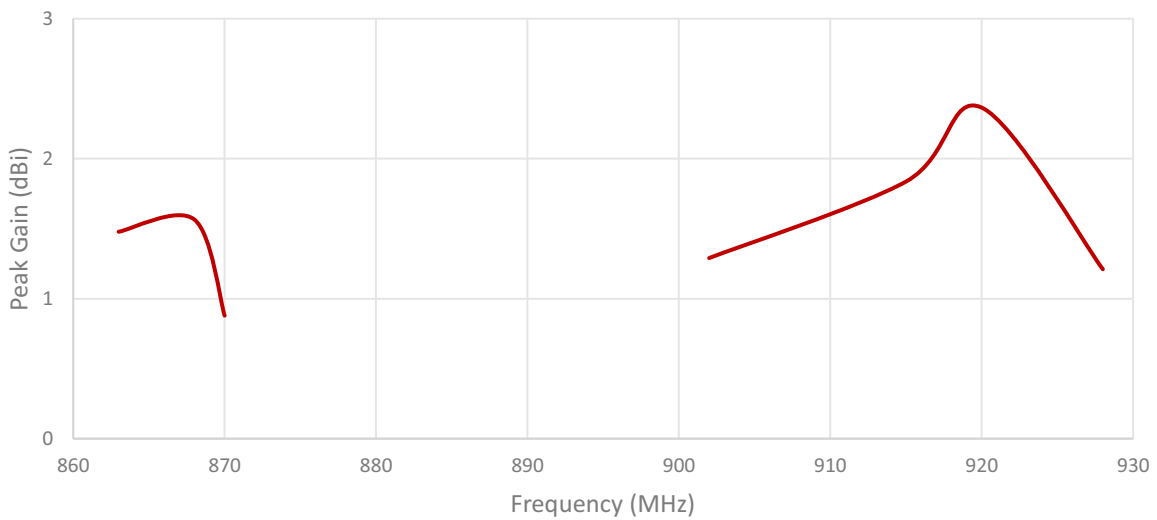
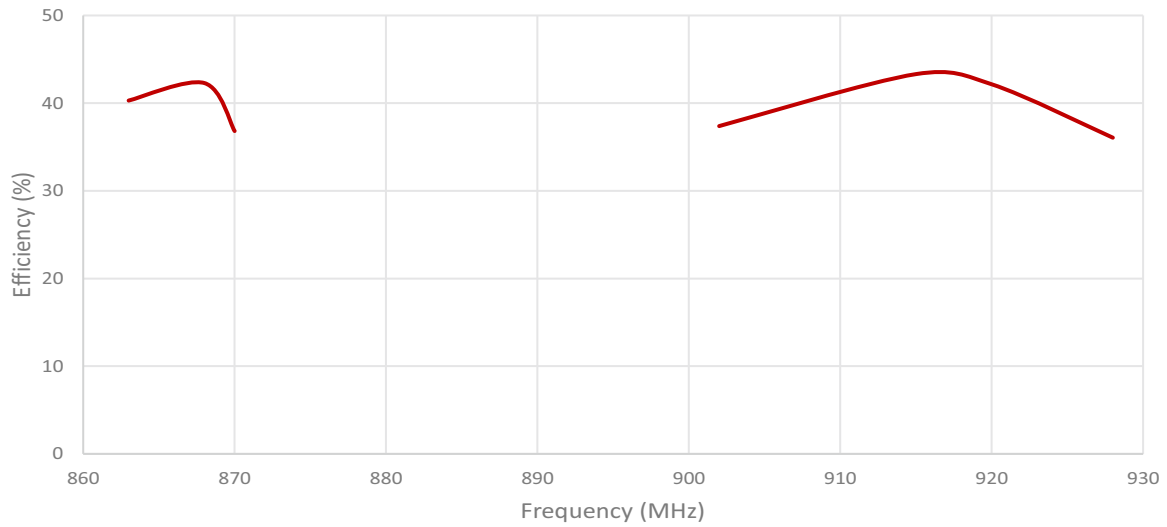
2. Mechanical and environmental specifications

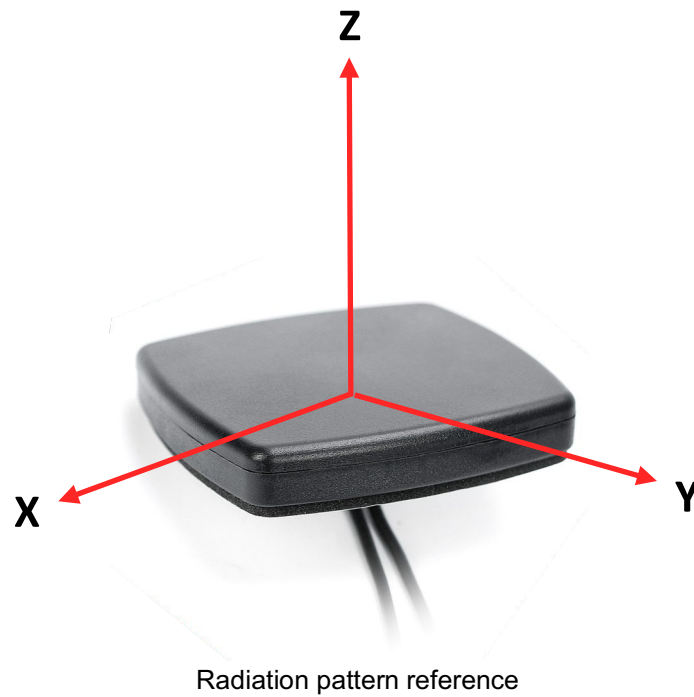
Specifications	2J6039BGF
Mounting Type	Screw Mount
Dimensions (mm)	80 x 74 x 14.7
Rec. Tighten Torque (Nm)	5 Nm
Radome	ASA
Radome color	Black
Operating Temperature (C)	-40 to +85
Storage Temperature (C)	-40 to +85
Substance Compliance	RoHS

3. Antenna parameters

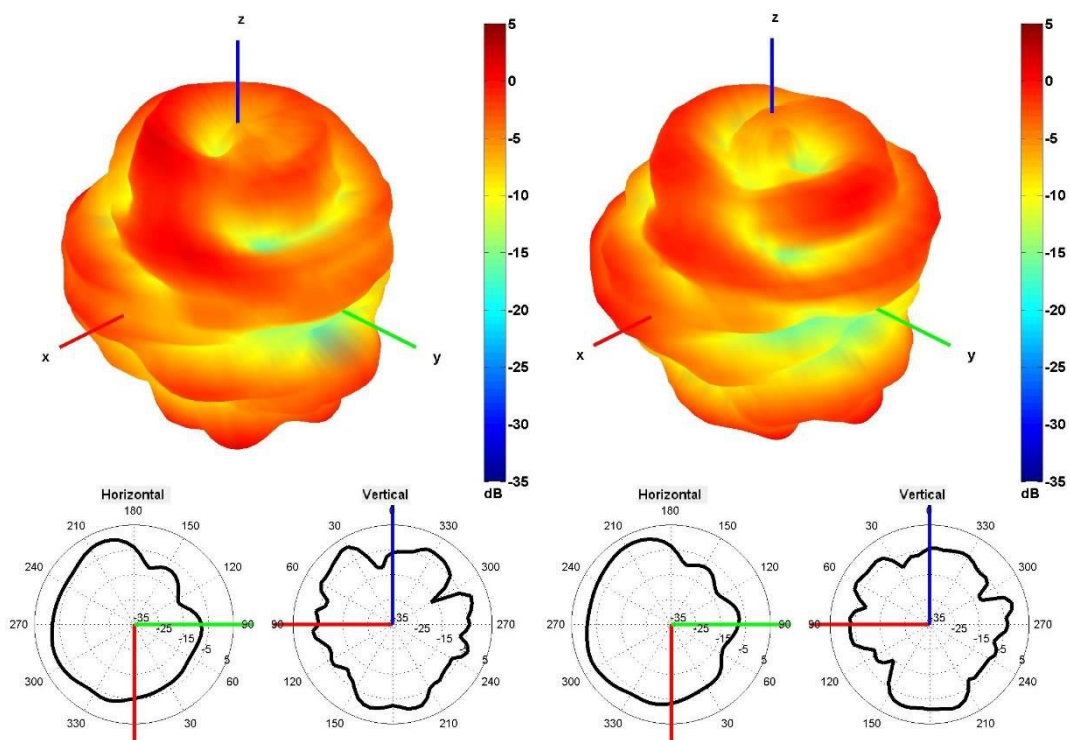
Cable 1: 868/915 MHz ISM







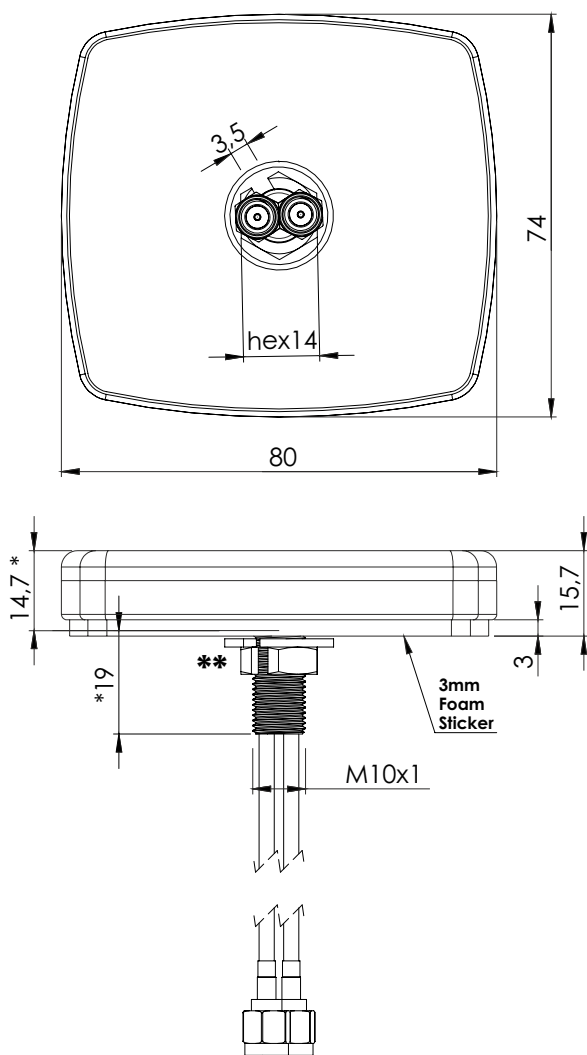
Cable 1: 868/915 MHz ISM



868 and 915 MHz Radiation pattern

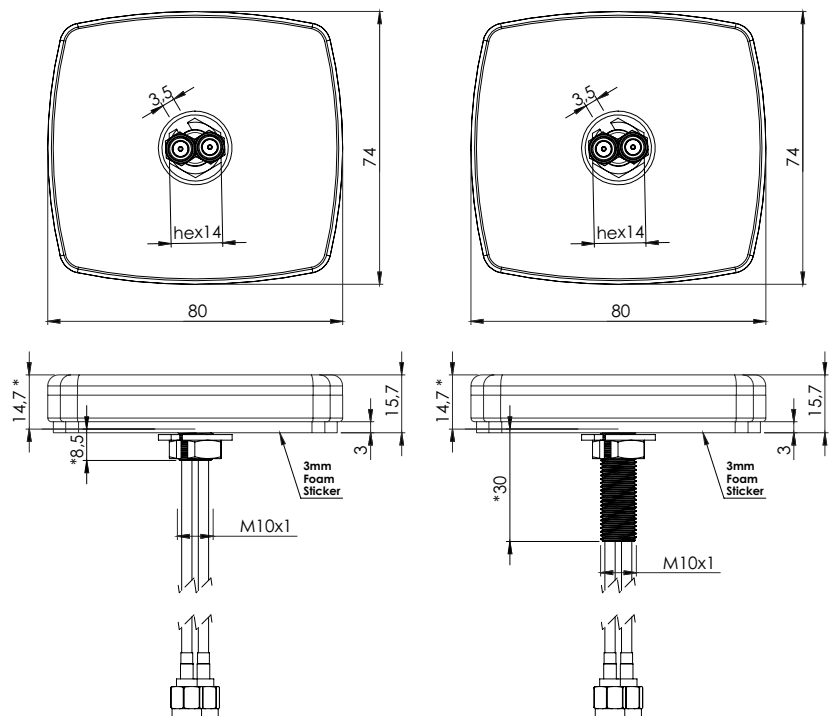
4. Antenna drawings

Default Thread Option



2J6039BGF-TH19
19 mm Thread
Default Option

Other Thread Options available



2J6039BGF-TH8,5
8,5 mm Thread

2J6039BGF-TH30
30 mm Thread

***Dimensions after mounting**
****Rec. Torque= 5 Nm**

5. Antenna Images

