

2J6026P

IRIDIUM Adhesive Mount

Key Features

IRIDIUM

- 1616-1627 MHz

Adhesive Mount

Iridium Certified

Low Profile

High Performance

Ground Plane Independent

Customizable Cable and Connector

Dimensions 80 x 76 x 16 mm



1. Antenna and electrical specifications

Parameters	IRIDIUM Antenna
Standards	Iridium
Bands (MHz)	1621
Frequency (MHz)	1616-1627
Return Loss (dB)	~-18.8
VSWR	~1.2:1
Efficiency (%)	~76
Peak Gain (dBiC)	~4.5
Average Gain (dB)	~-1.1
Impedance (Ohm)	50
Axial Ratio (dB)	3 Max
Radiation Pattern	Hemispherical
Polarization	RHCP
Connector Type	SMA-Male Standard (Other Connectors Available)
Cable Length (m)	300cm Standard (Any Cable Length Available)
Cable Type	LL100 Standard (Other Cables Available)

Antenna Measurement Conditions:

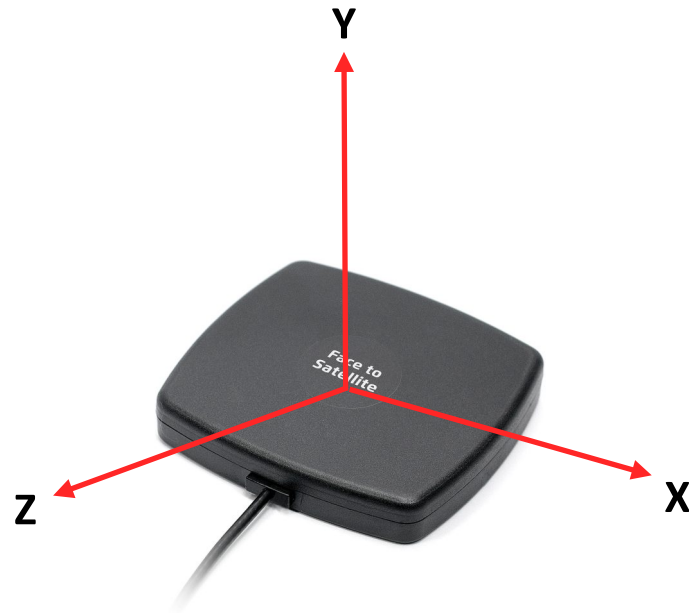
Free Space

No Cable

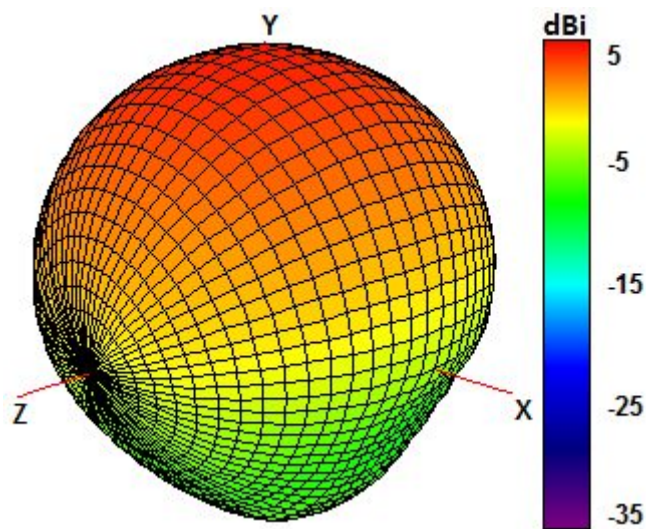
Measured in Certified CTIA 3D Anechoic Chamber

2. Mechanical and environmental specifications

Specifications	2J6026P
Mounting Type	Adhesive Mount
Dimensions (mm)	80 x 76 x 16
Radome Type	ASA
Radome Color	Black
Operating Temperature (C)	-40 to +85
Storage Temperature (C)	-40 to +85
Substance Compliance	RoHS
Certificates	Iridium Certified

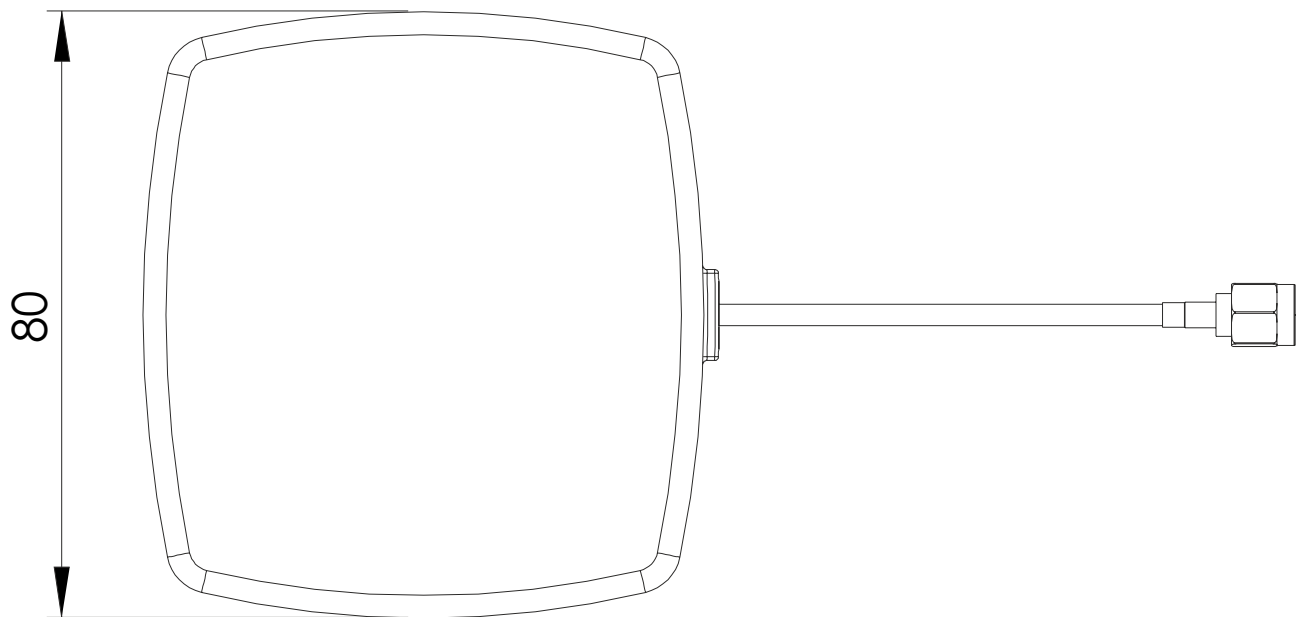
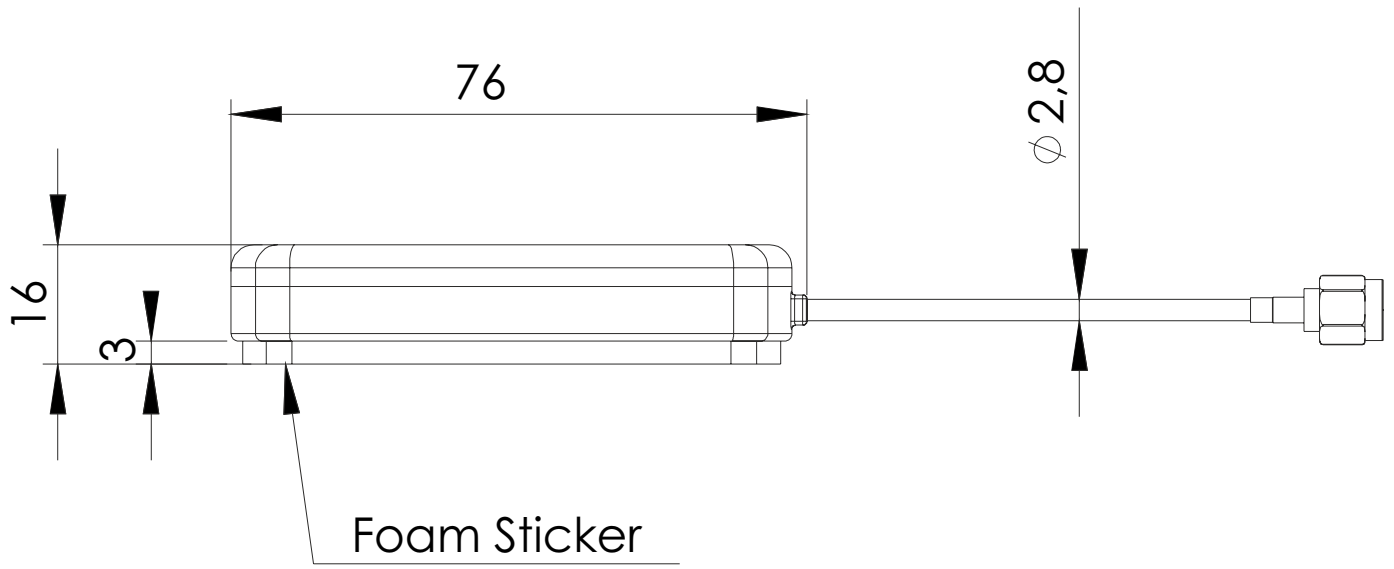


Radiation pattern reference



1621 MHz Radiation pattern

4. Antenna drawings



2J Antennas

5. Antenna Images



 **iridium**[®]
Certified

