

2JW0915-C952B

868/915 MHz ISM Connector Mount

Key Features

868/915 MHz ISM

- 863-870 MHz

- 902-928 MHz

Connector Mount

High Performance

High Gain

Ground Plane Independent

Hinged Connector

Dimensions 170 × 18 × 10 mm



1. Antenna and electrical specifications

Parameters	868/915 MHz ISM Antenna	
Standards	ZigBee, ISM, SIGFOX, LoRa	
Band (MHz)	868	915
Frequency (MHz)	863-870	902-928
Return Loss (dB)	~-15.7	~-16.8
VSWR	~1.4:1	~1.4:1
Efficiency (%)	~73.2	~82.3
Peak Gain (dBi)	~-2.9	~-3.0
Average Gain (dB)	~-1.4	~-0.8
Impedance (Ohm)	50	
Polarisation	Linear	
Radiation Pattern	Omni-Directional	
Max. Input Power (W)	25	
Connector Type	SMA-Male Standard	

Antenna Measurement Conditions:

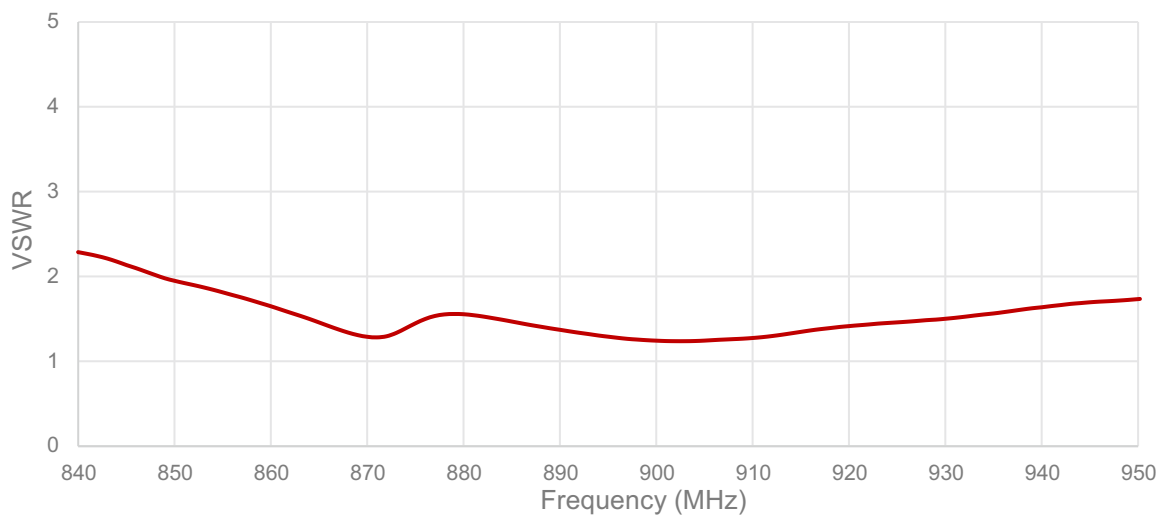
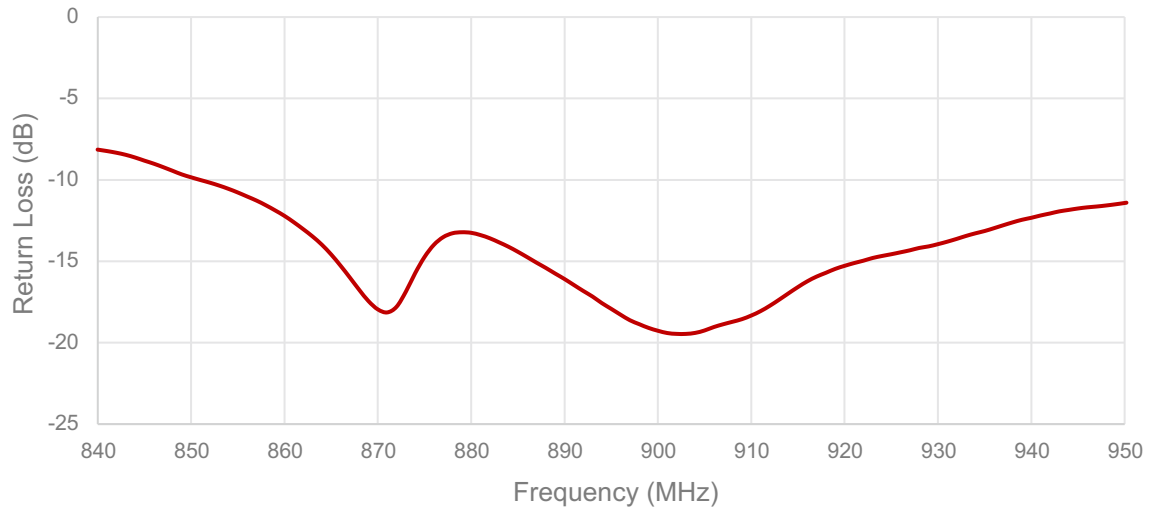
Free Space

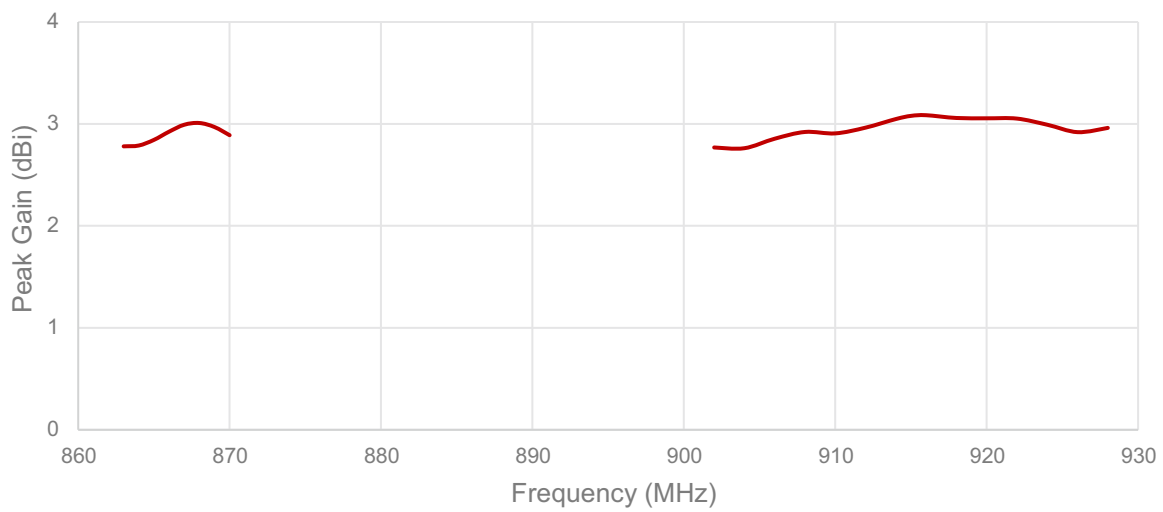
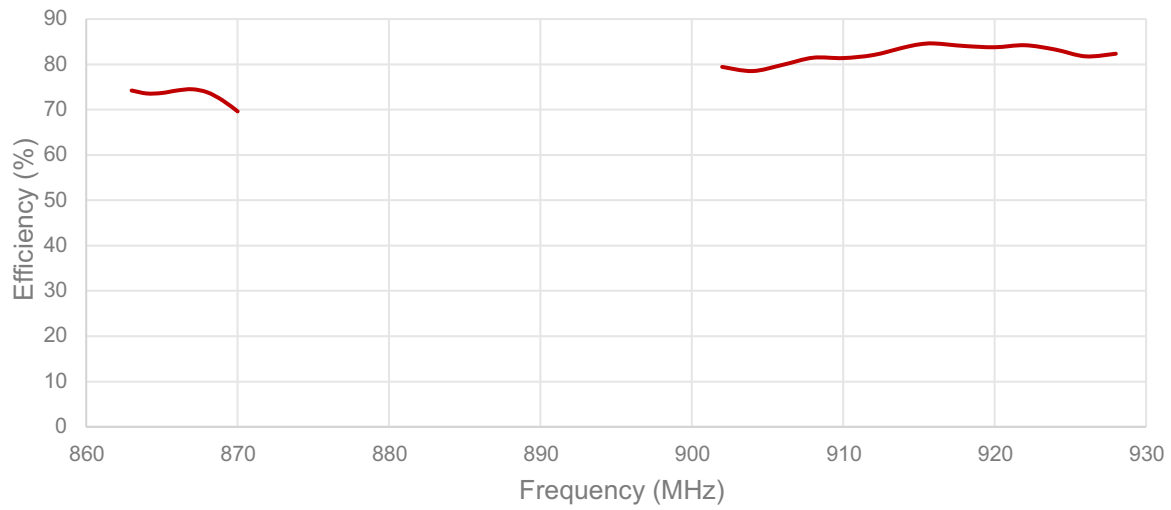
Measured in Certified CTIA 3D Anechoic Chamber

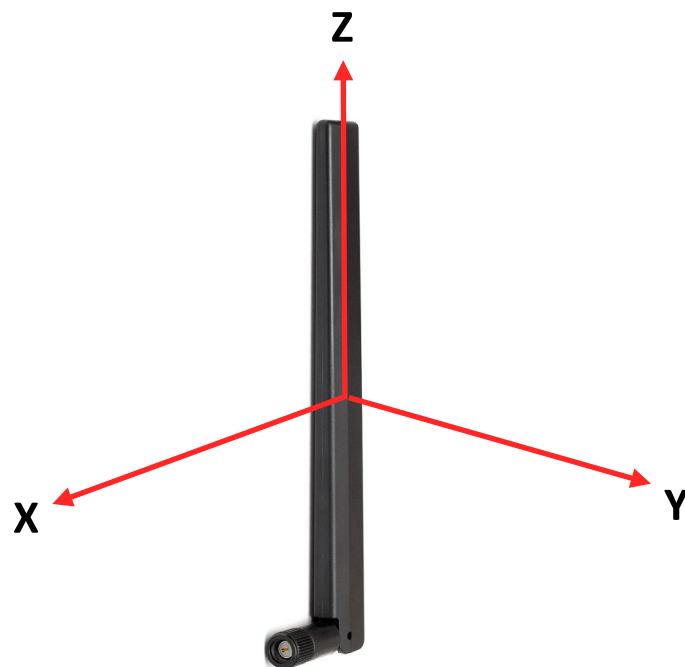
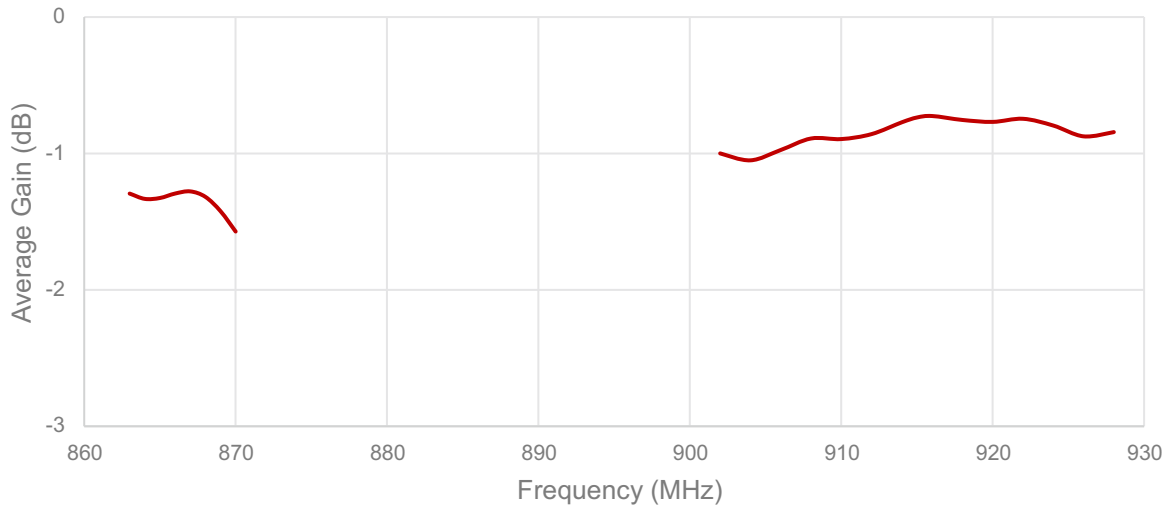
2. Mechanical and environmental specifications

Specifications	2JW0915-C952B
Mounting Type	Connector Mount
Dimensions (mm)	170 × 18 × 10
Radome	ASA
Radome color	Black
Connector Feature	Hinged
Operating Temperature (C)	-40 to +85
Storage Temperature (C)	-40 to +85
Substance Compliance	RoHS

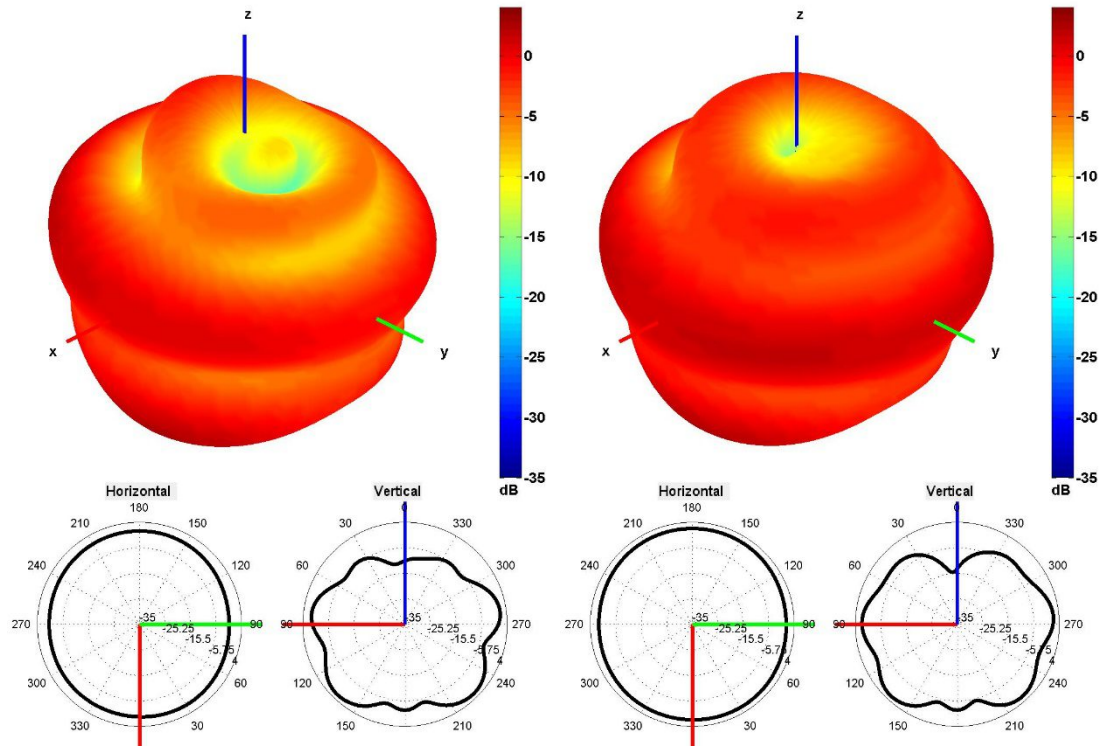
3. Antenna parameters







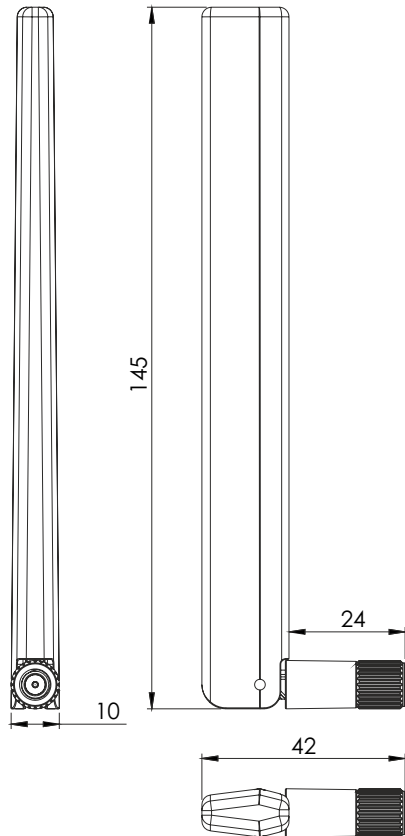
Radiation pattern reference



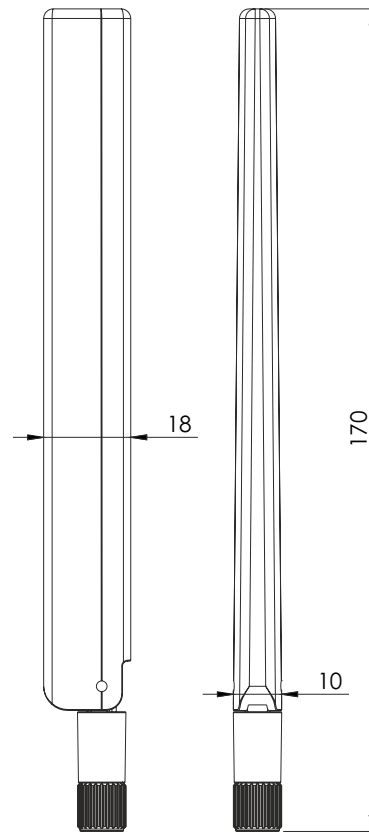
868 and 915 MHz Radiation pattern

4. Antenna drawings

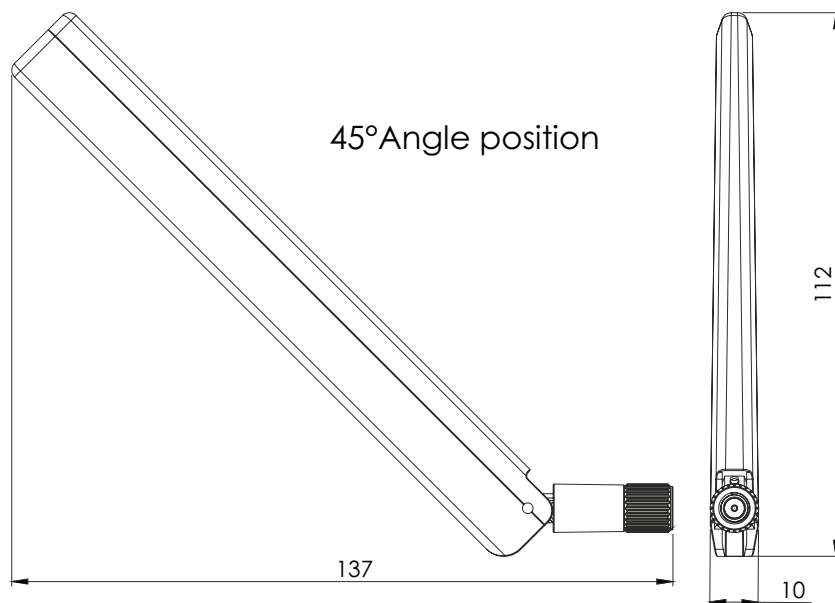
Right Angle position



Straight position



45° Angle position



5. Antenna Images

