

2JW0915-868-C952B

868 MHz ISM Connector Mount

Key Features

868 MHz ISM
- 863-870 MHz
Connector Mount
High Performance
High Gain
Ground Plane Independent
Hinged Connector
Dimensions 170 × 18 × 10 mm



1. Antenna and electrical specifications

Parameters	868 MHz ISM Antenna
Standards	ZigBee, ISM, SIGFOX, LoRa
Band (MHz)	868 MHz
Frequency (MHz)	863-870
Return Loss (dB)	~-15.7
VSWR	~1.4:1
Efficiency (%)	~75.2
Peak Gain (dBi)	~3.0
Average Gain (dB)	~-1.4
Impedance (Ohm)	50
Polarisation	Linear
Radiation Pattern	Omni-Directional
Max. Input Power (W)	25
Connector Type	SMA-Male Standard

Antenna Measurement Conditions:

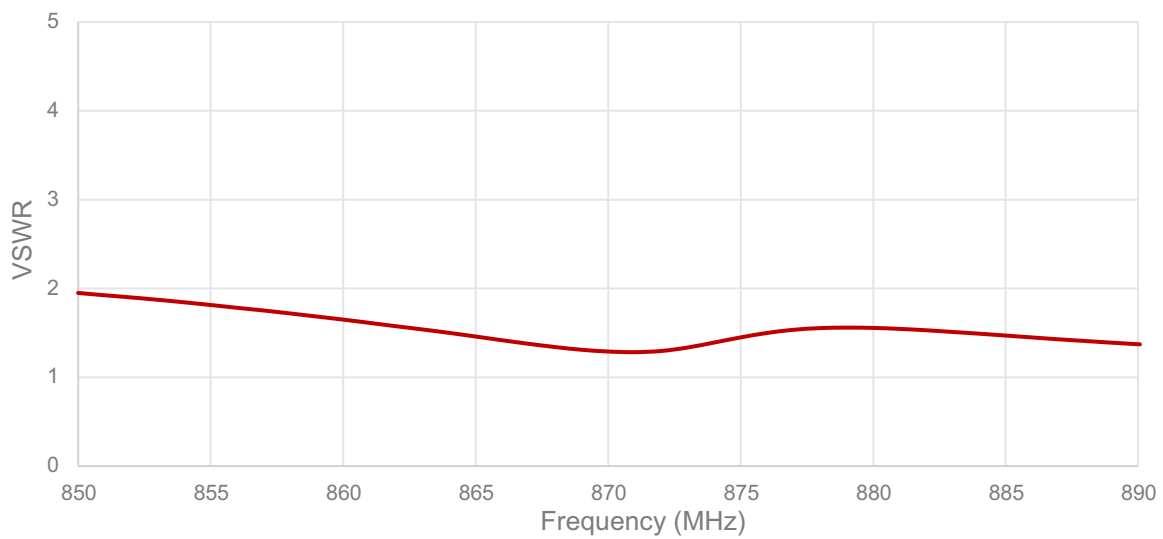
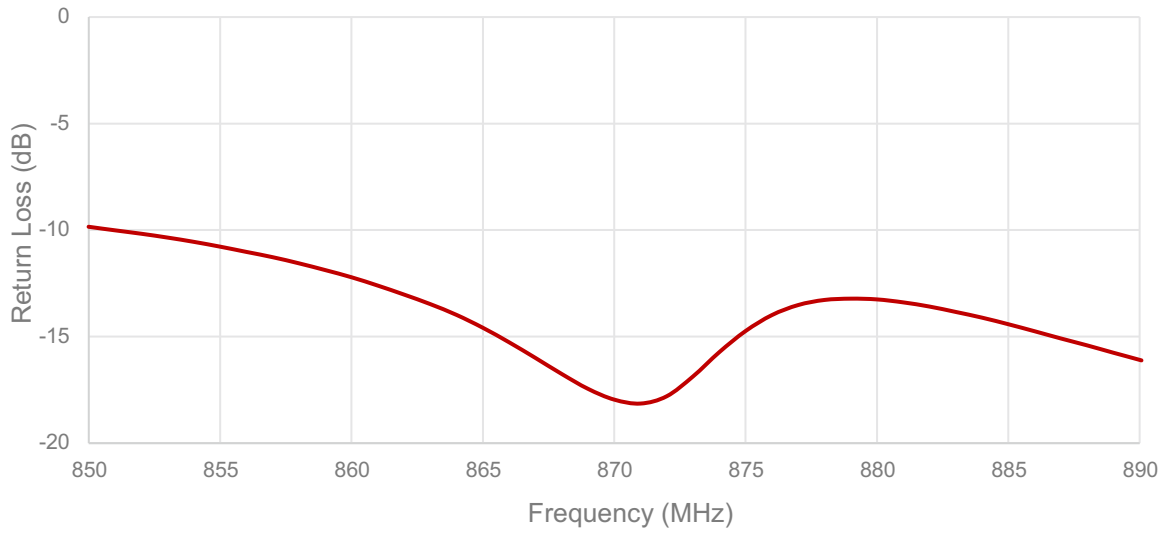
Free Space

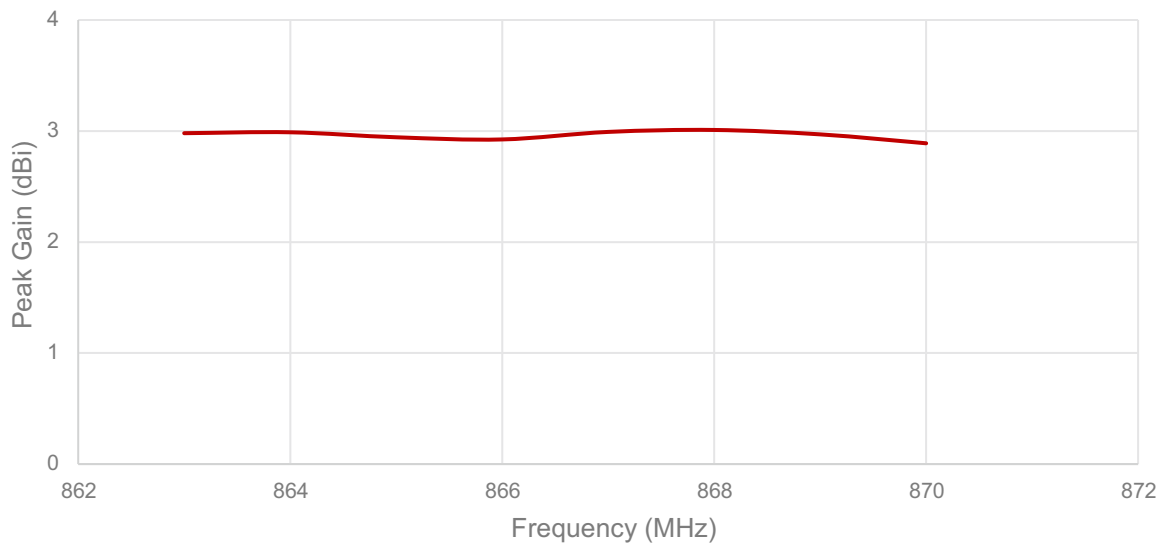
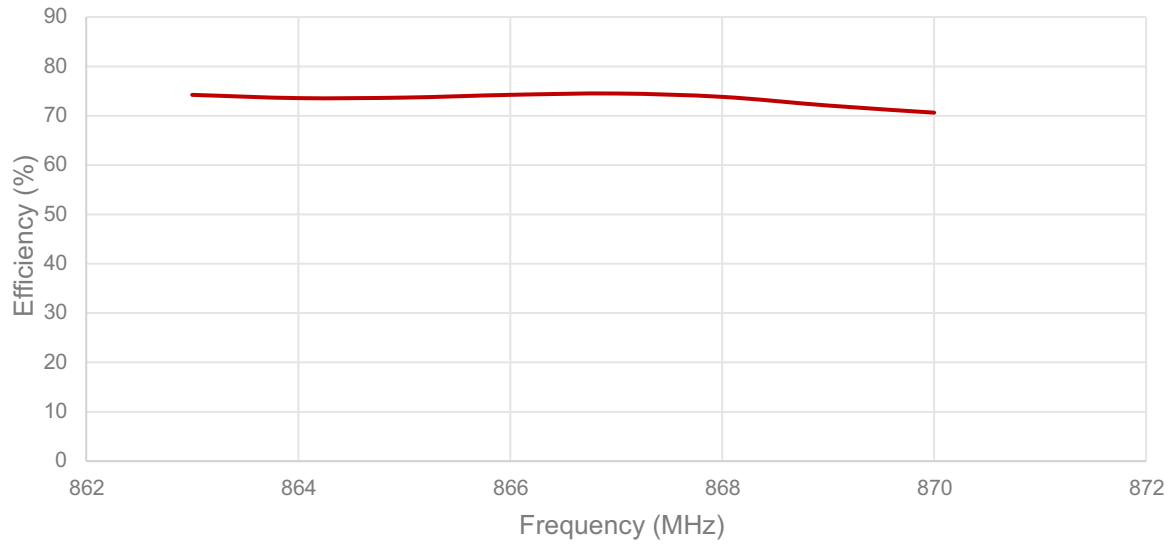
Measured in Certified CTIA 3D Anechoic Chamber

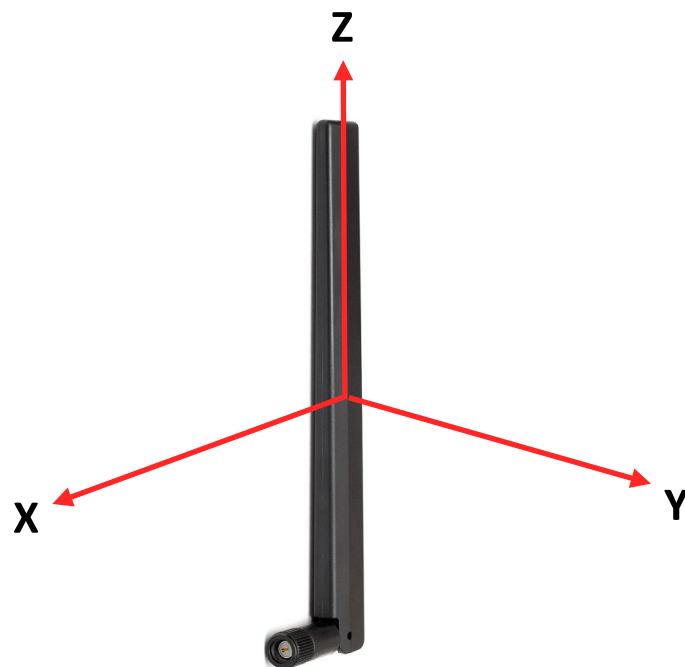
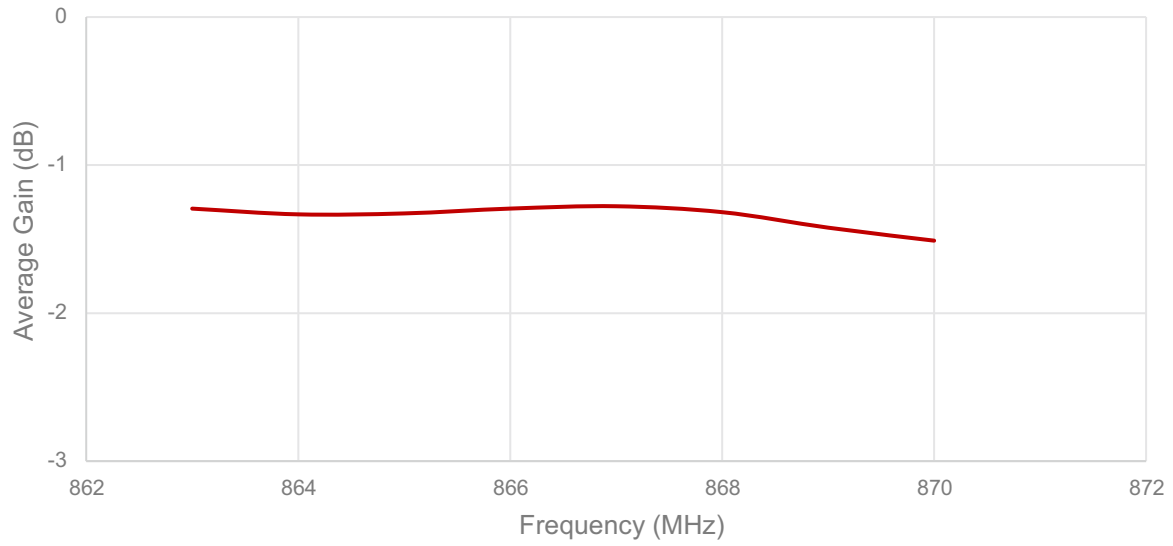
2. Mechanical and environmental specifications

Specifications	2JW0915-868-C952B
Mounting Type	Connector Mount
Dimensions (mm)	170 × 18 × 10
Radome	ASA
Radome color	Black
Connector Feature	Hinged
Operating Temperature (C)	-40 to +85
Storage Temperature (C)	-40 to +85
Substance Compliance	RoHS

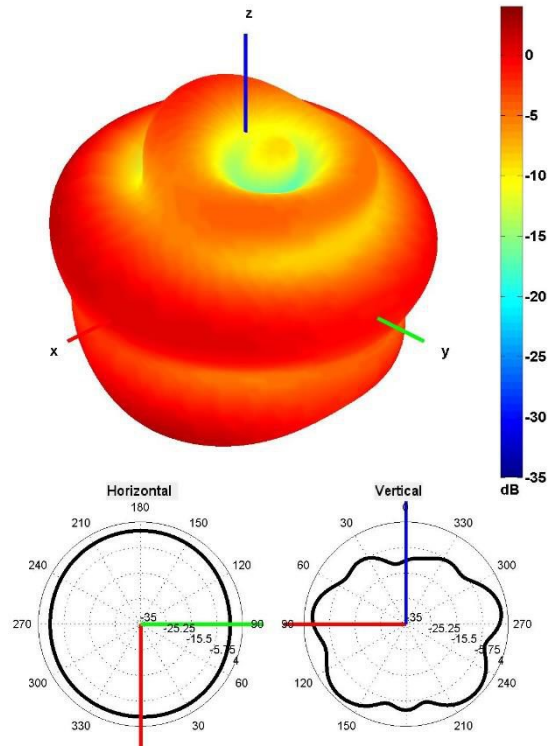
3. Antenna parameters







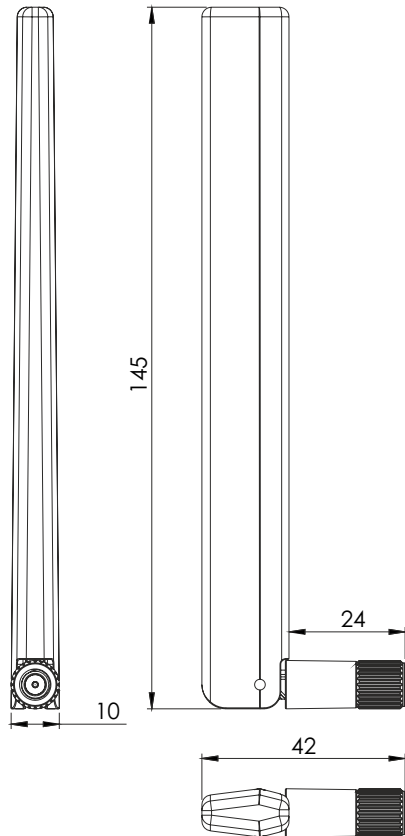
Radiation pattern reference



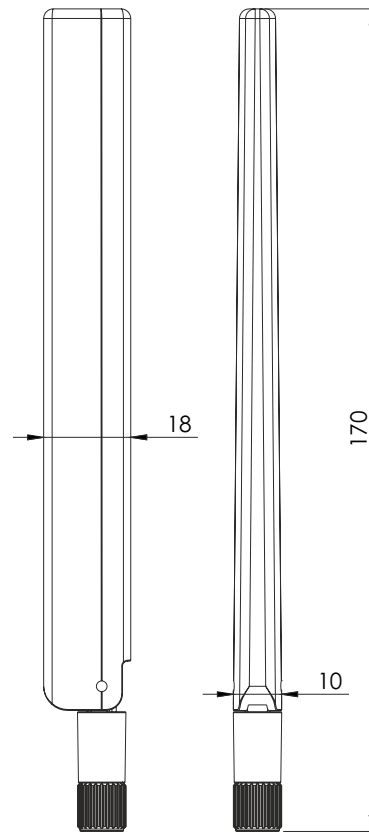
868 MHz Radiation pattern

4. Antenna drawings

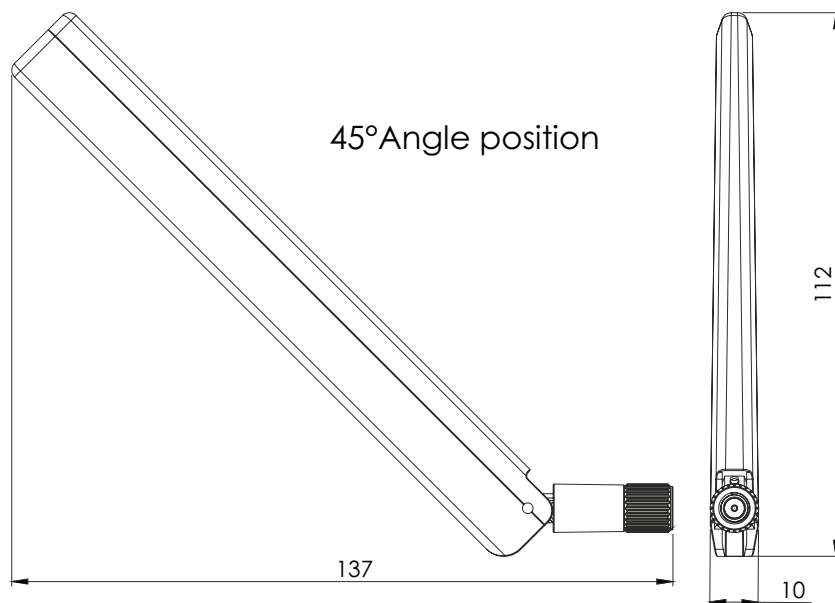
Right Angle position



Straight position



45° Angle position



5. Antenna Images

