

## 2JM0801CF

### GNSS Ceramic Active Antenna

#### Key Features

GPS/GLONASS/BeiDou/QZSS/Galileo

- 1561-1606 MHz

Embedded Antenna

28 dB Gain

Mid-Filter

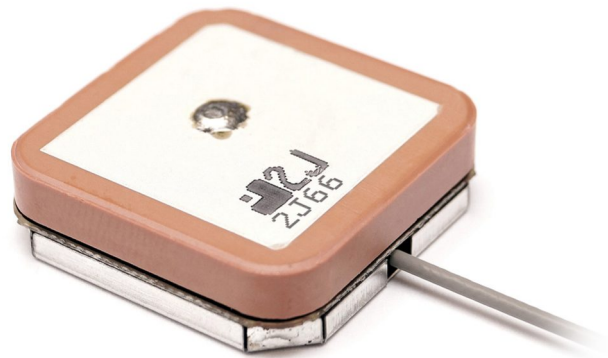
Low Noise Figure

Low Power Consumption

Ground Plane Independent

Dimensions 25 × 25 × 7.6 mm

Customizable Cable and Connector



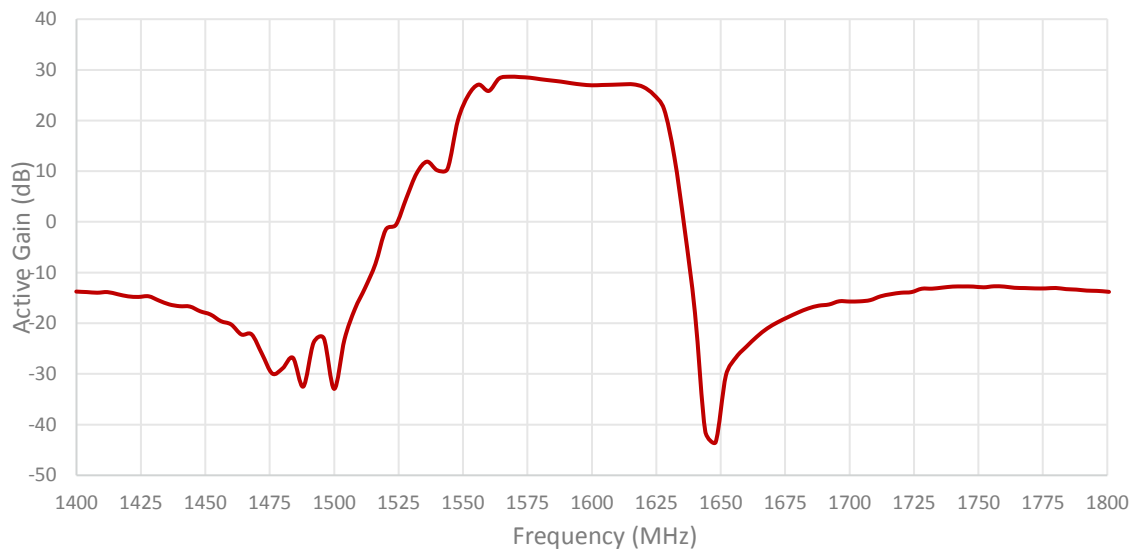
## 1. Antenna and electrical specifications

Parameters	GNSS Ceramic Active Antenna		
	BeiDou	GPS/QZSS/Galileo	GLONASS
<b>Standards</b>	BeiDou	GPS/QZSS/Galileo	GLONASS
<b>Bands (MHz)</b>	1561	1575	1602
<b>Frequency (MHz)</b>	1561.098	1575.42	1598-1606
<b>Passive Gain (dBi)</b>	~4.2	~4.5	~5.0
<b>Impedance (Ohms)</b>	50		
<b>Radiation Pattern</b>	Hemispherical		
<b>Voltage Range (V)</b>	1.5 - 3.6		
<b>Active Gain (dB)</b>	28 @ 2.7 V		
<b>Noise Figure (dB)</b>	1.0 @ 2.7 V		
<b>Current Consumption (mA)</b>	9 @ 2.7 V		
<b>Power Consumption (mW)</b>	24.3 @ 2.7 V		
<b>Saw Filter Type</b>	Mid-Filter		
<b>Out of Band Rejection (dB)</b>	~43		
<b>ESD Protection (kV)</b>	2		
<b>Connector Type</b>	U.FL Standard (Other Connectors Available)		
<b>Cable Length</b>	100 mm Standard (Any Cable Length Available)		
<b>Cable Type</b>	1.37 mm Mini-Coax Standard (Other Cables Available)		

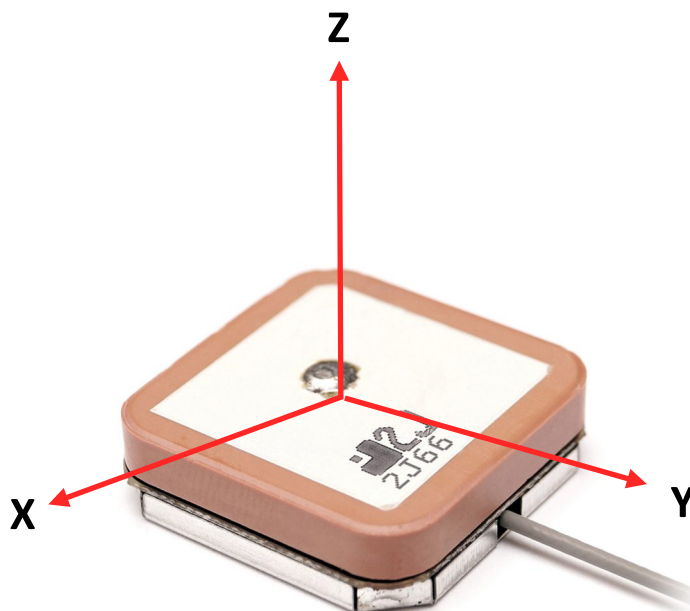
## 2. Mechanical and environmental specifications

Specifications	2JM0801CF
<b>Dimensions (mm)</b>	25 × 25 × 7.6
<b>Operating Temperature (C)</b>	-40 to +85
<b>Storage Temperature (C)</b>	-40 to +85
<b>Substance Compliance</b>	RoHS

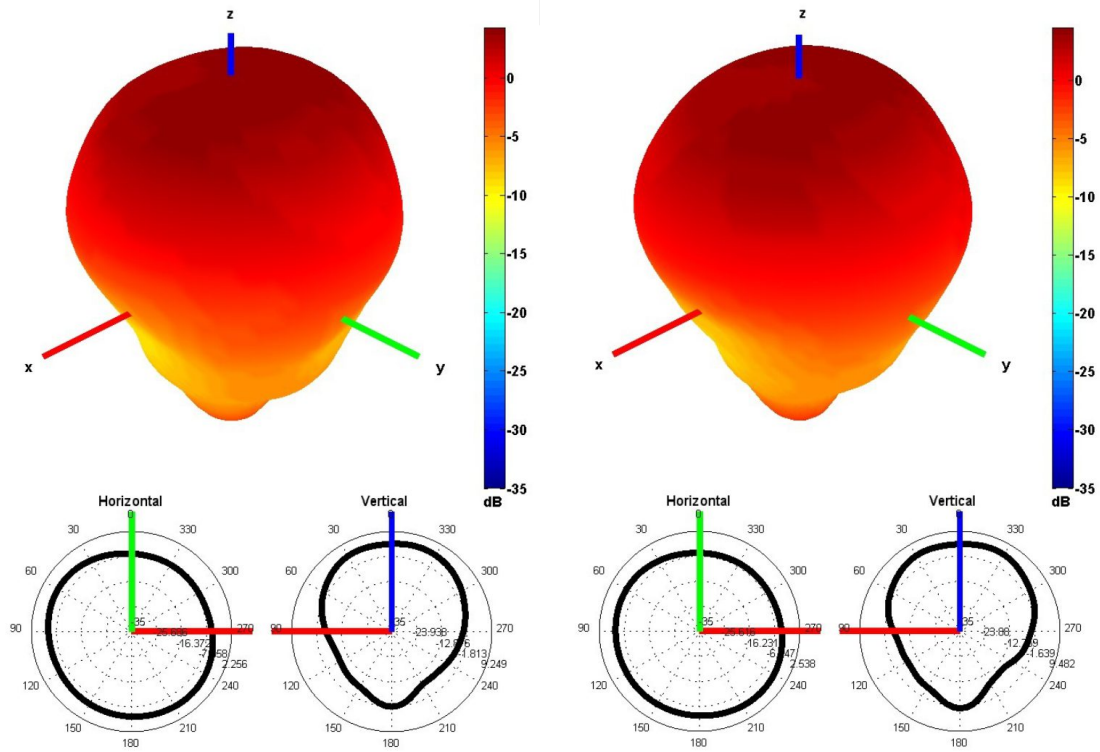
### 3. Antenna parameters



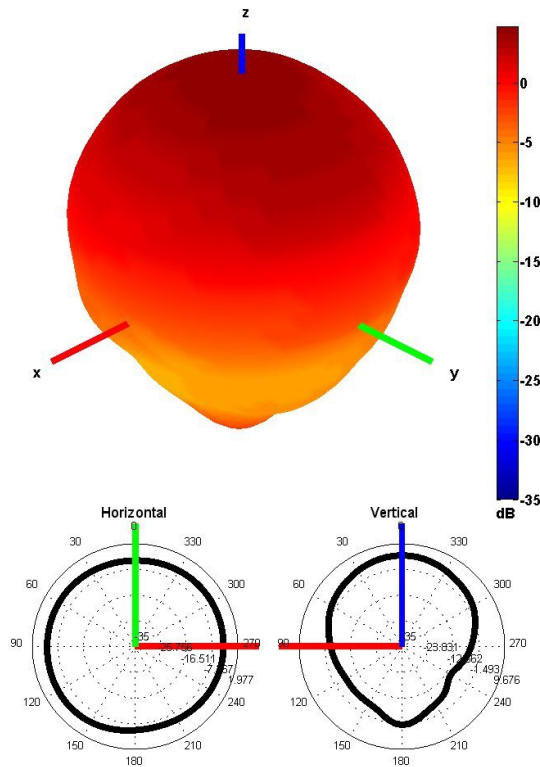
\* Measured at 3 V



Radiation pattern reference

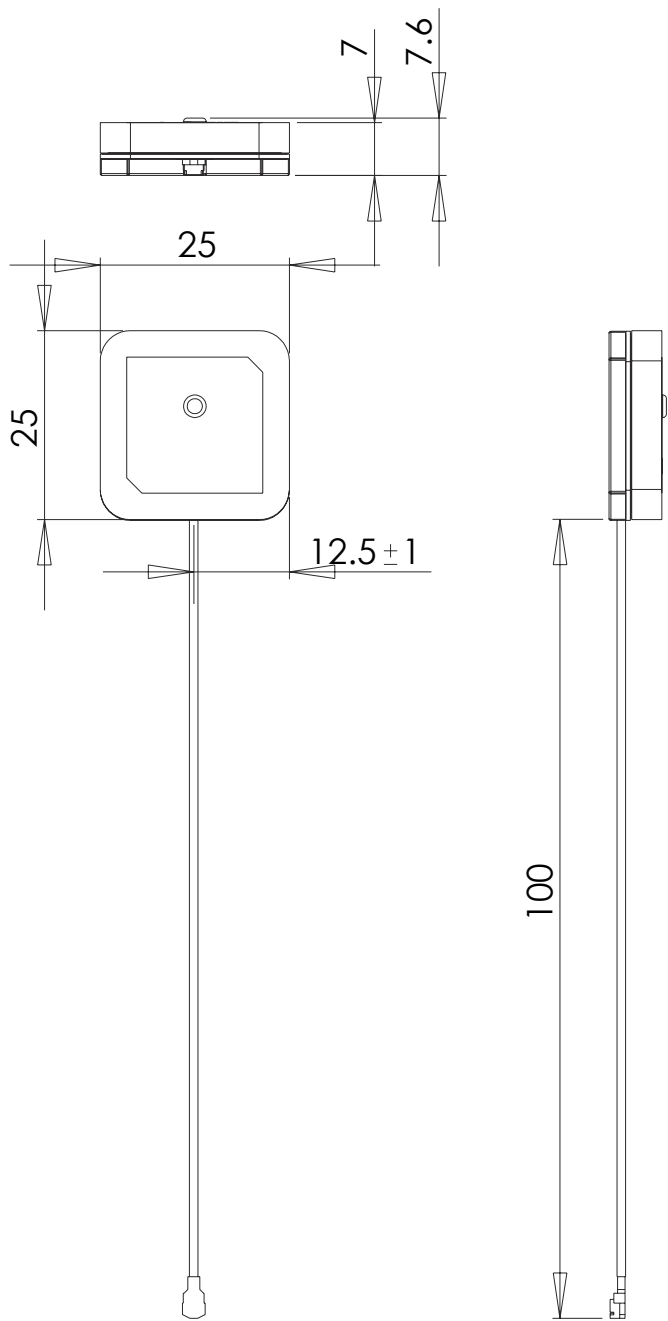


1561 and 1575 MHz Radiation pattern



1602 MHz Radiation pattern

4. Antenna drawings



## 5. Antenna Images

