

2J6915B-915

915 MHz ISM Screw Mount

Key Features

915 MHz ISM
- 902-928 MHz
Screw Mount
Low Profile
Anti-Rotation Mechanism
Ground Plane Independent
Customizable Cable and Connector
Dimensions 80 × 74 × 25.6 mm
Certificates: IP67, IP69



1. Antenna and electrical specifications

Parameters	915 MHz ISM Antenna
Standards	ZigBee, ISM, SIGFOX, LoRa
Band (MHz)	915 MHz
Frequency (MHz)	902-928
Return Loss (dB)	~-16.1
VSWR	~1.4:1
Efficiency (%)	~55.1
Peak Gain (dBi)	~4.0
Average Gain (dB)	~-2.6
Impedance (Ohm)	50
Polarisation	Linear
Radiation Pattern	Omni-Directional
Max. Input Power (W)	25
Connector Type	SMA-Male Standard (Other Connectors Available)
Cable Length	300 cm Standard (Any Cable Length Available)
Cable Type	LL100 Standard (Other Cables Available)

Antenna Measurement Conditions:

Mounted on Ground Plane of 30x30 cm

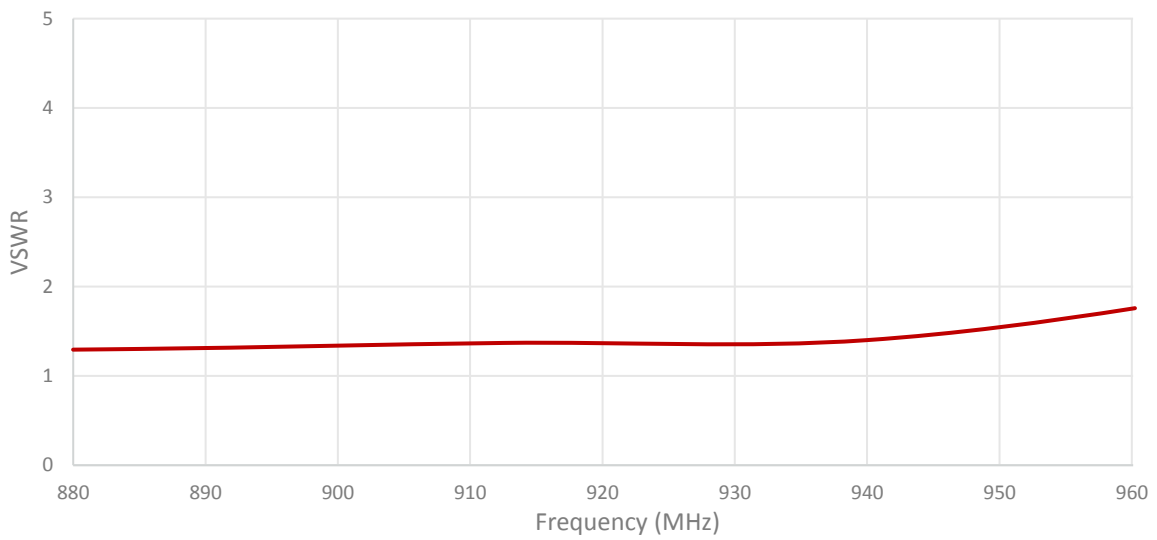
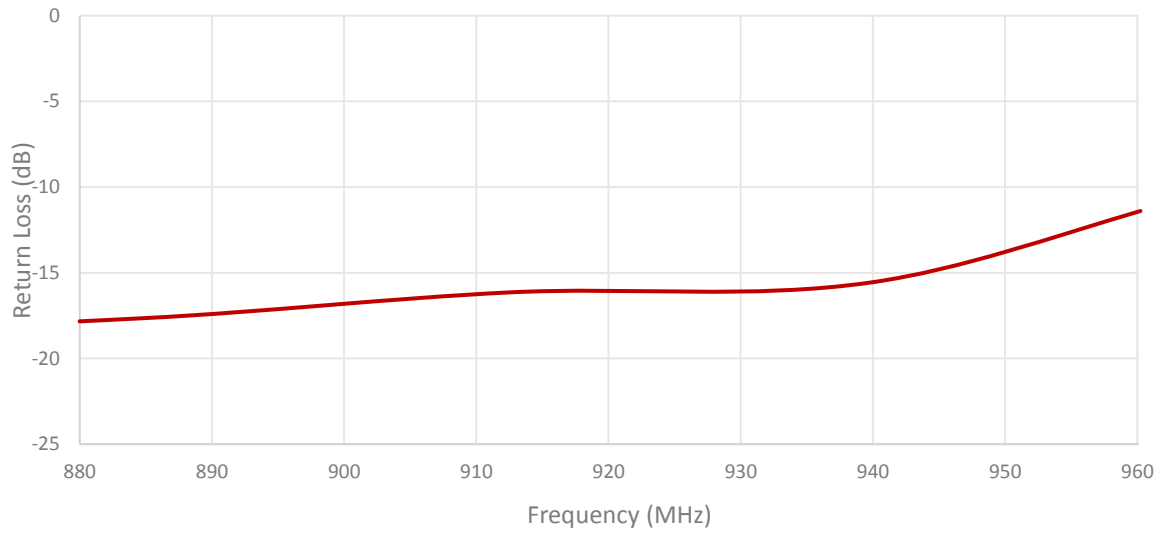
200 cm of LL100 Cable

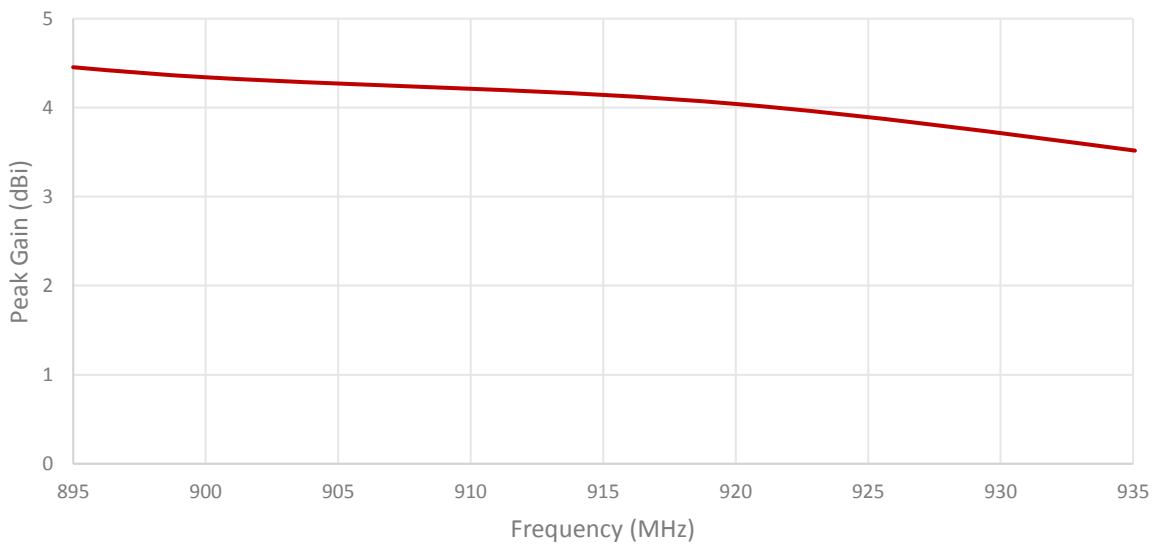
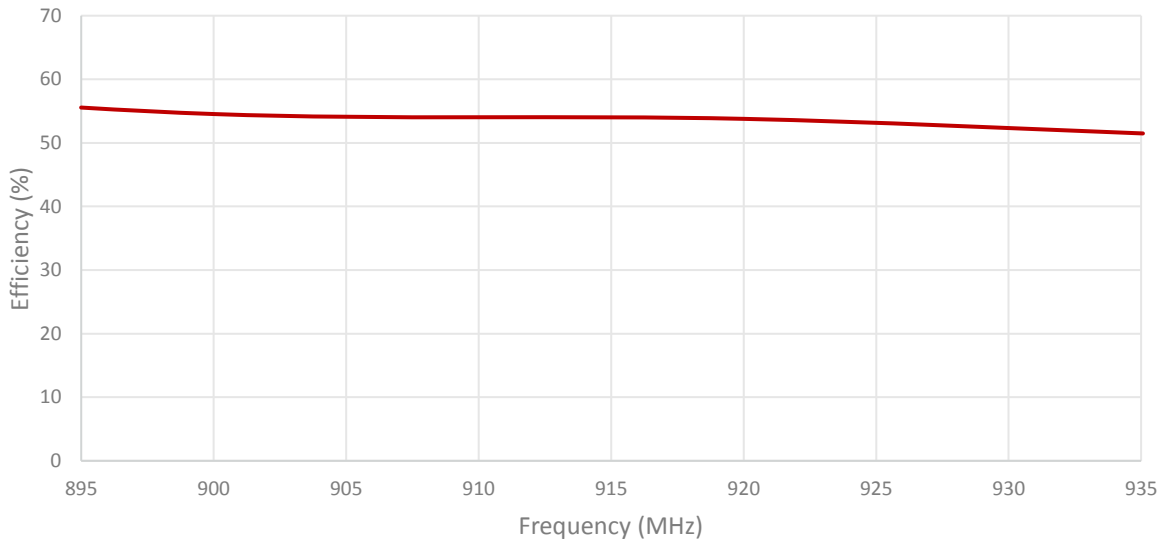
Measured in Certified CTIA 3D Anechoic Chamber

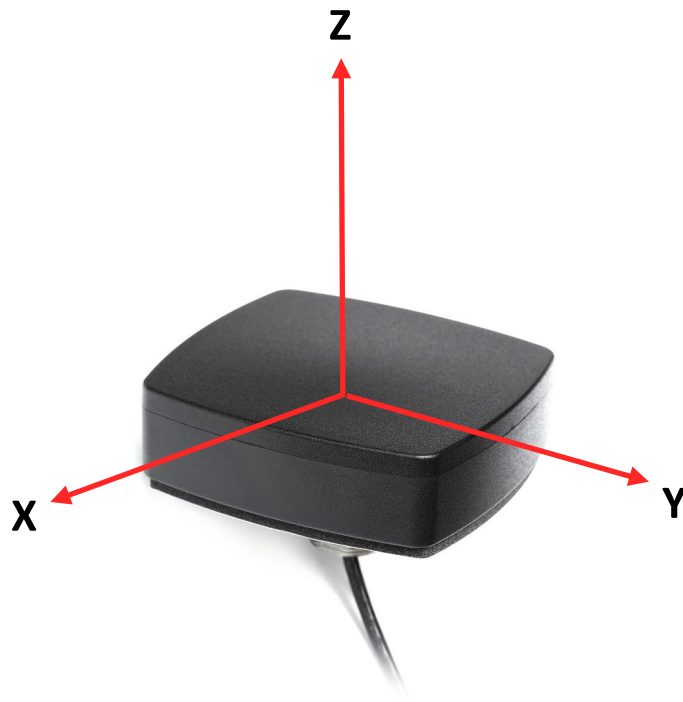
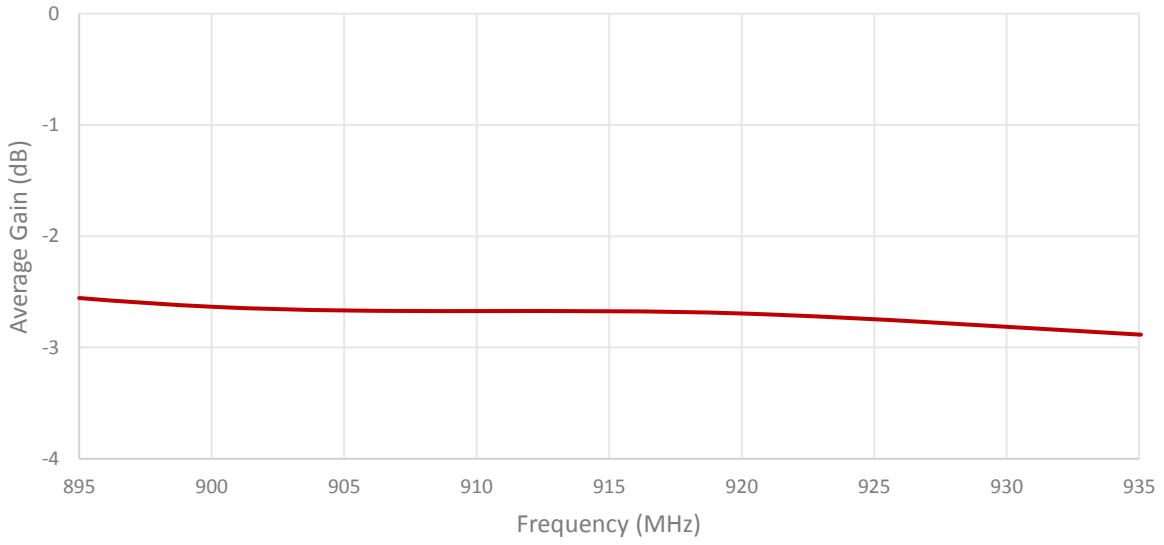
2. Mechanical and environmental specifications

Specifications	2J6915B-915
Mounting Type	Screw Mount
Dimensions (mm)	80 x 74 x 25.6
Max. Tighten Torque (Nm)	5 Nm
Radome Type	ABS UV Stable
Radome Color	Black, White
Operating Temperature (C)	-40 to +85
Storage Temperature (C)	-40 to +85
Substance Compliance	RoHS
Certificates	IP67, IP69

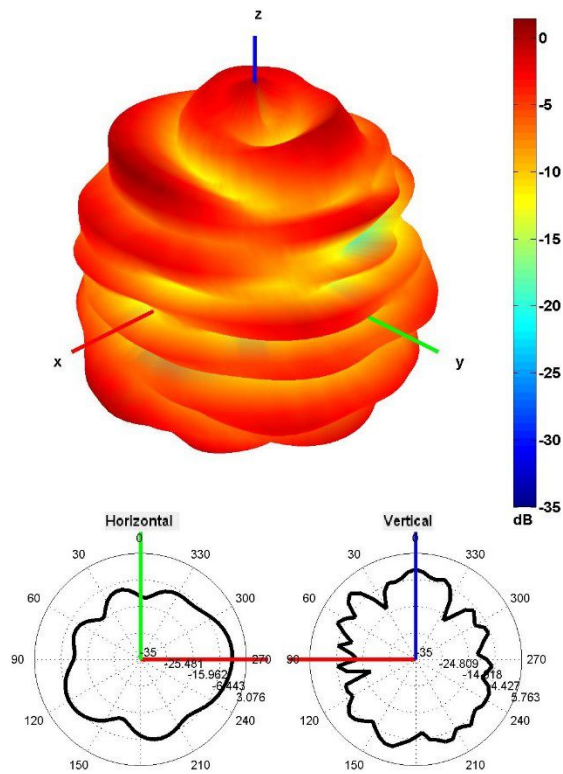
3. Antenna parameters





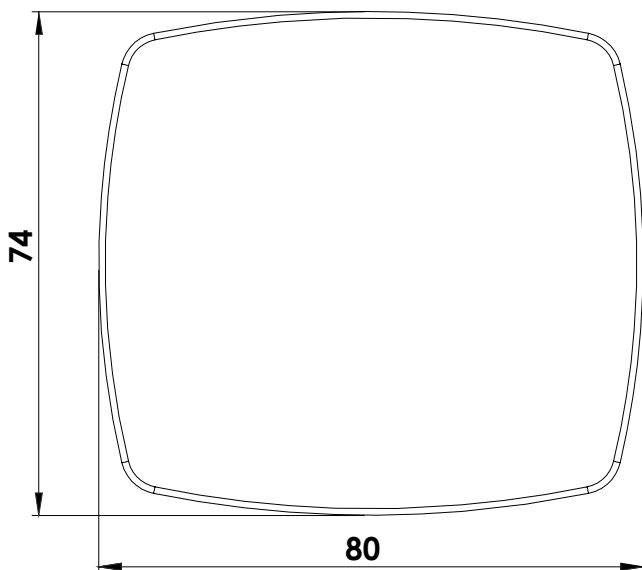
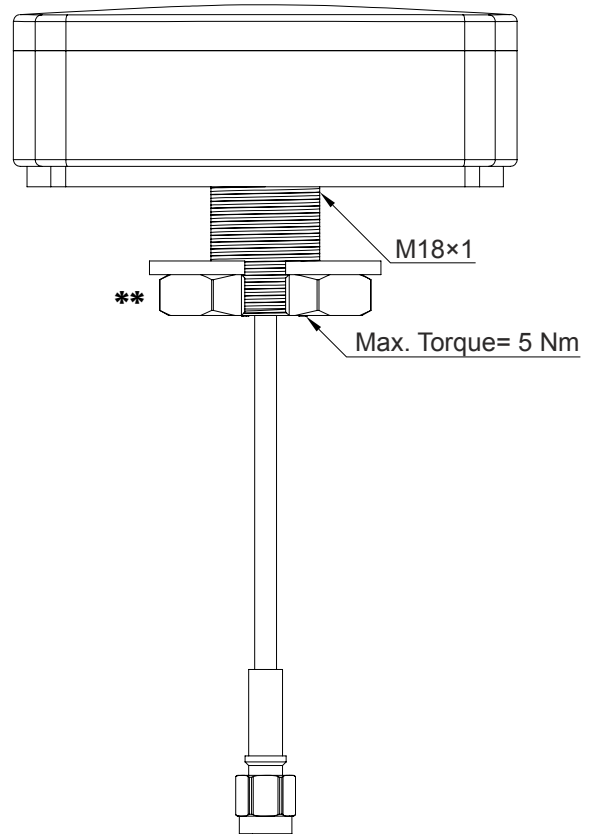
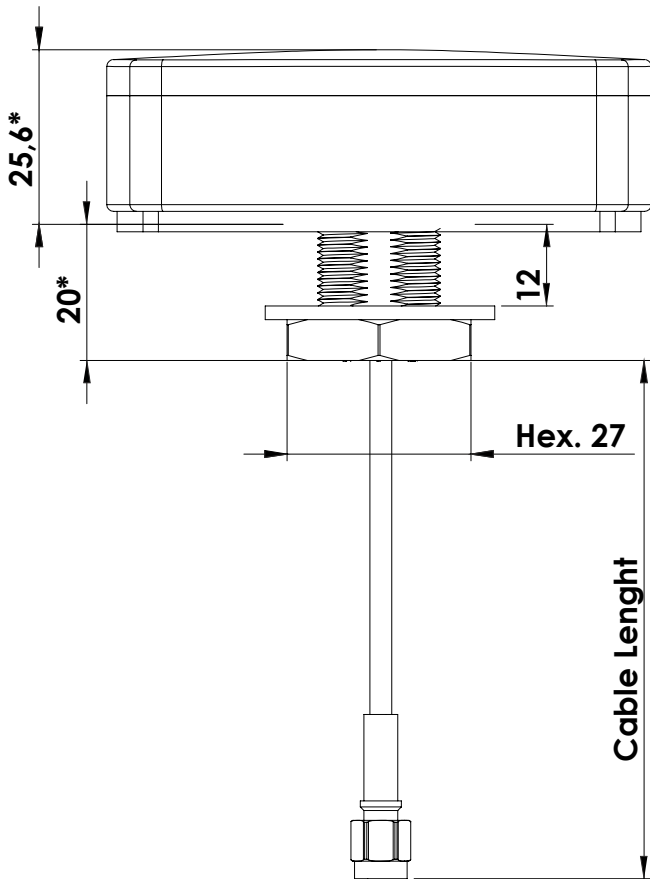


Radiation pattern reference

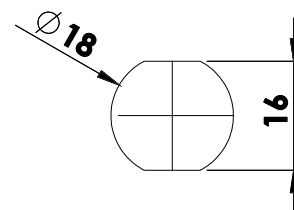


915 MHz Radiation pattern

4. Antenna drawings



Mounting hole



Max. mounting thickness 12mm
 Note: Dimensions are in millimeters
 *Dimensions are after mounting
 **Max. Torque= 5 Nm

5. Antenna Images

