

2J6301MPGF

GPS/GLONASS Magnetic/Adhesive Mount

Key Features

Cable 1: GPS/GLONASS/QZSS/Galileo

- 1575-1610 MHz

Magnetic/Adhesive Mount

Ground Plane Independent

Customizable Cable and Connector

Dimensions \varnothing 52.5 × 13.1/14.3 mm

Certificates: IP67



1. Antenna and electrical specifications

Parameters	GPS/GLONASS Antenna	
Standard	GPS / GLONASS	
Band (MHz)	1575	1602
Frequency(MHz)	1575.42	1598-1610
Return Loss (dB)	<-14	
VSWR	<1.5:1	
Impedance	50	
Radiation Pattern	Hemispherical	
Polarization	RHCP	
Saw Filter	Pre-Filter	
Active Gain (dB)	26 @ 3V	
Noise Figure (dB)	1.2	
Voltage (V)	2.7 – 5.5	
Current (mA)	15 - 25	
Power Consumption (mW)	40 - 137	
Connector Type	SMA-Male Standard (Other Connectors Available)	
Cable Length	300 cm Standard (Any Cable Length Available)	
Cable Type	RG174 Standard (Other Cables Available)	

Antenna Measurement Conditions:

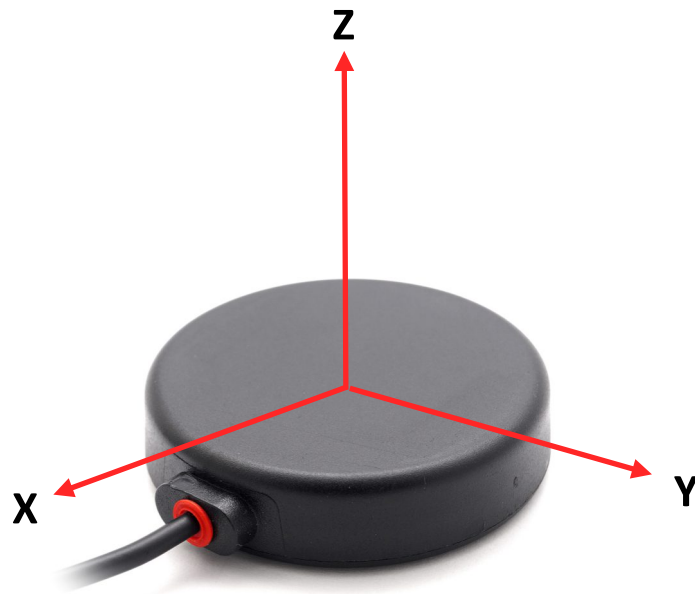
Mounted on 30 x 30 cm Metal Plate

200 cm of RG174100 Cable

Measured in Certified CTIA 3D Anechoic Chamber

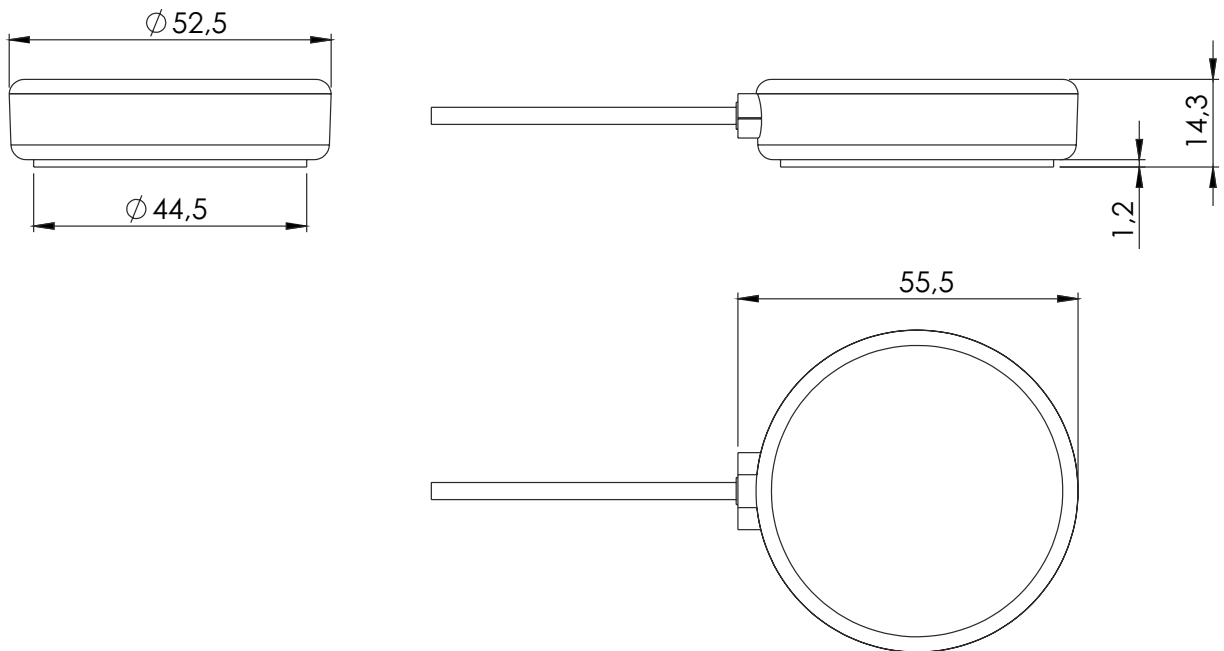
2. Mechanical and environmental specifications

Specifications	2J6301MPGF
Mounting Type	Magnetic Mount
Dimensions (mm)	Ø 52.5 × 13.1/14.3
Radome	ASA
Radome color	Black
Antenna Base	ASA
Operating Temperature (C)	-40 to +85
Storage Temperature (C)	-40 to +85
Substance Compliance	RoHS
Certificates	IP67



Radiation pattern reference

3. Antenna drawings



Note: Dimensions are in millimeters

4. Antenna Images

