

# 2J6002B

## 2.4/5.0 GHz ISM Screw Mount

### Key Features

**Cable 1: 2.4/5.0 GHz**

- 2410-2490 MHz

- 4920-5925 MHz

Screw Mount

Ground Plane Independent

Customizable Cable and Connector

Dimensions 80 x 74 x 14.7 mm

Certificates: IP67



**Note:** 19mm Thread is Default Option. See Drawing for other Thread Options available.



## 1. Antenna and electrical specifications

**Cable 1**

Parameters	2.4/5.0 GHz ISM Antenna	
<b>Standards</b>	WiFi, BT, ZigBee, ISM	
<b>Band (MHz)</b>	2.4 GHz	5.0 GHz
<b>Frequency (MHz)</b>	2410-2490	4920-5925
<b>Return Loss (dB)</b>	~-18.0	~-12.8
<b>VSWR</b>	~1.3:1	~1.7:1
<b>Efficiency (%)</b>	~38.4	~25.6
<b>Peak Gain (dBi)</b>	~3.8	~2.8
<b>Average Gain (dB)</b>	~-4.2	~-6.0
<b>Impedance (Ohm)</b>	50	
<b>Polarisation</b>	Linear	
<b>Radiation Pattern</b>	Omni-Directional	
<b>Max. Input Power (W)</b>	25	
<b>Connector Type</b>	RP-SMA-Male Standard (Other Connectors Available)	
<b>Cable Length</b>	300 cm Standard (Any Cable Length Available)	
<b>Cable Type</b>	LL100 Standard (Other Cables Available)	

**Antenna Measurement Conditions:**

Mounted on 30 x 30 x 0.25 cm ABS Plate

200 cm of Cable LL100

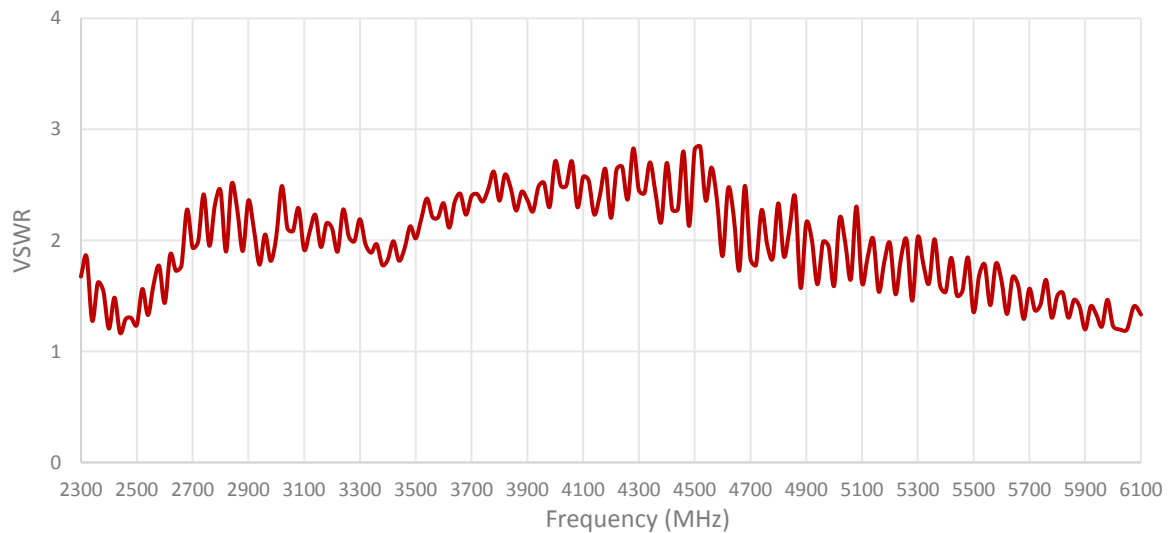
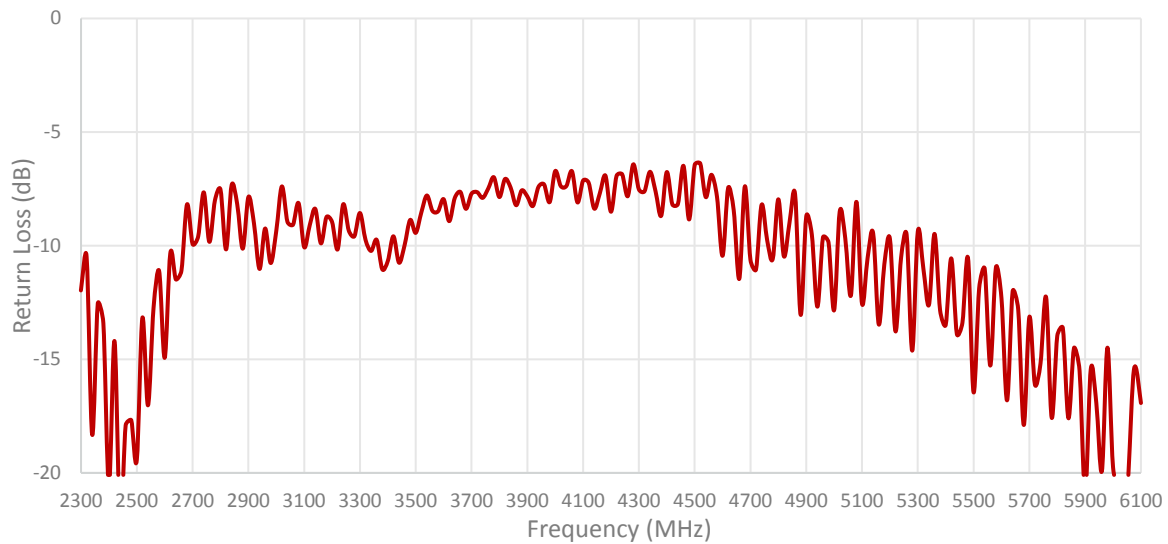
Measured in Certified CTIA 3D Anechoic Chamber

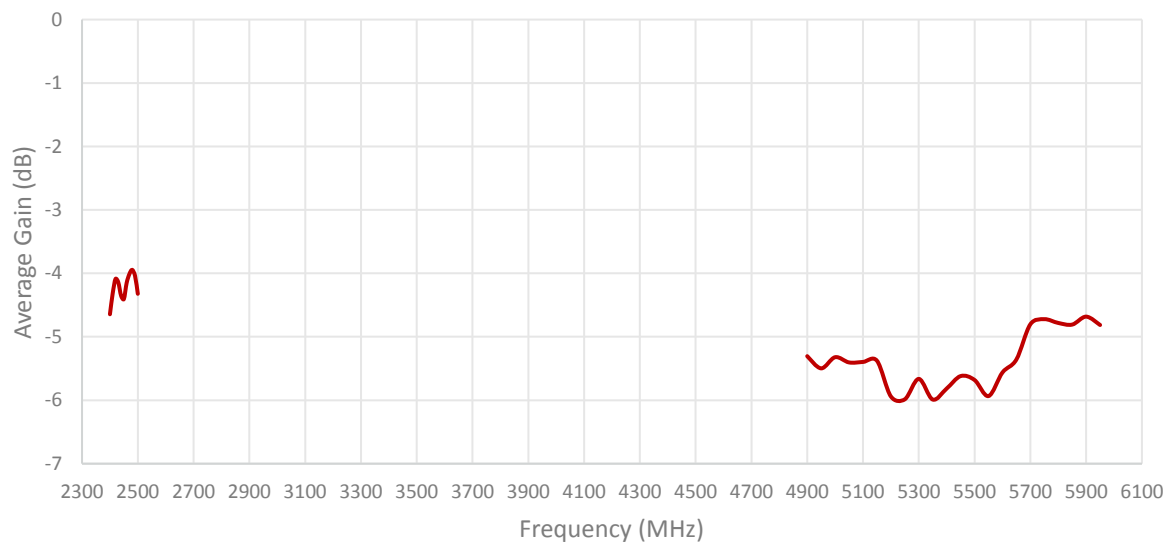
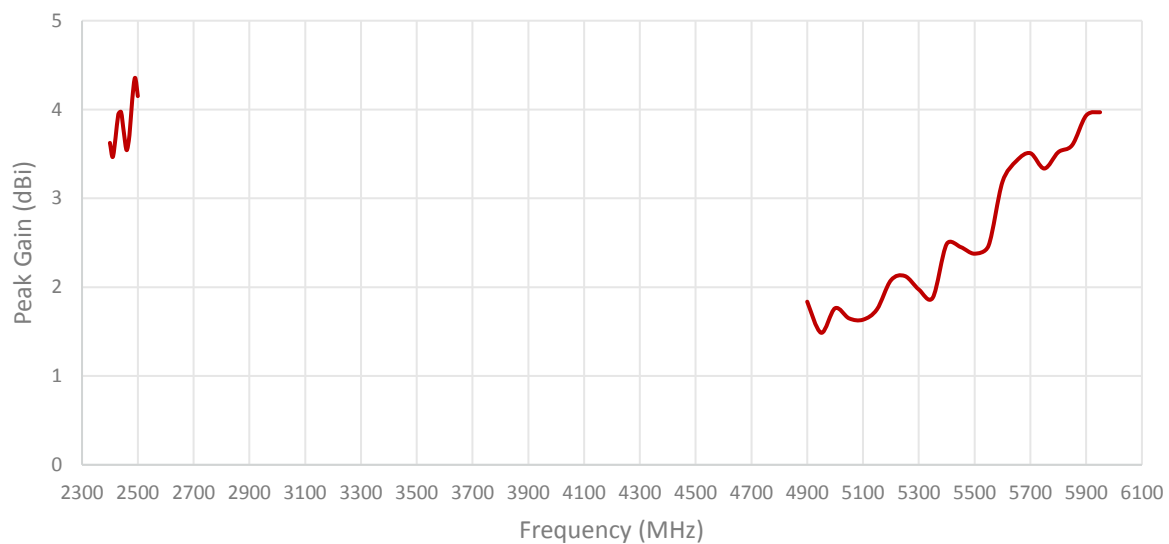
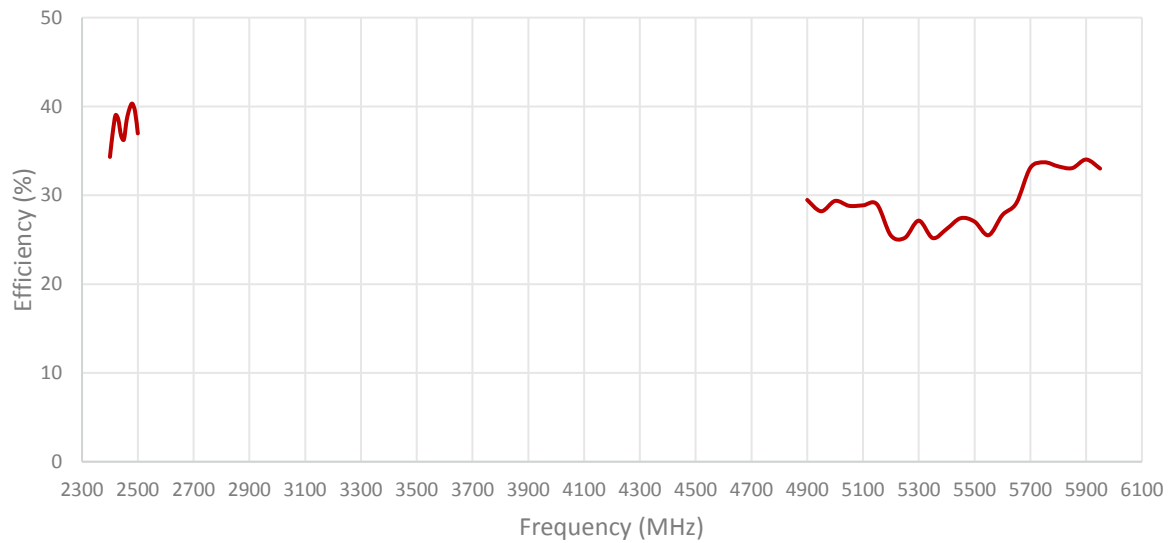
## 2. Mechanical and environmental specifications

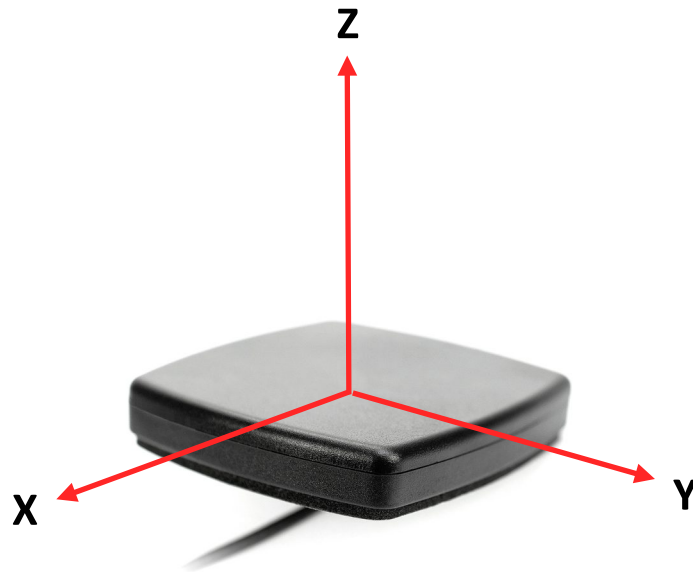
Specifications	2J6002B
<b>Mounting Type</b>	Screw Mount
<b>Dimensions (mm)</b>	80 x 74 x 14.7
<b>Max. Tighten Torque (Nm)</b>	5 Nm
<b>Radome</b>	ASA
<b>Radome color</b>	Black
<b>Operating Temperature (C)</b>	-40 to +85
<b>Storage Temperature (C)</b>	-40 to +85
<b>Substance Compliance</b>	RoHS
<b>Certificates</b>	IP67

## 3. Antenna parameters

Cable 1: 2.4/5.0 GHz ISM

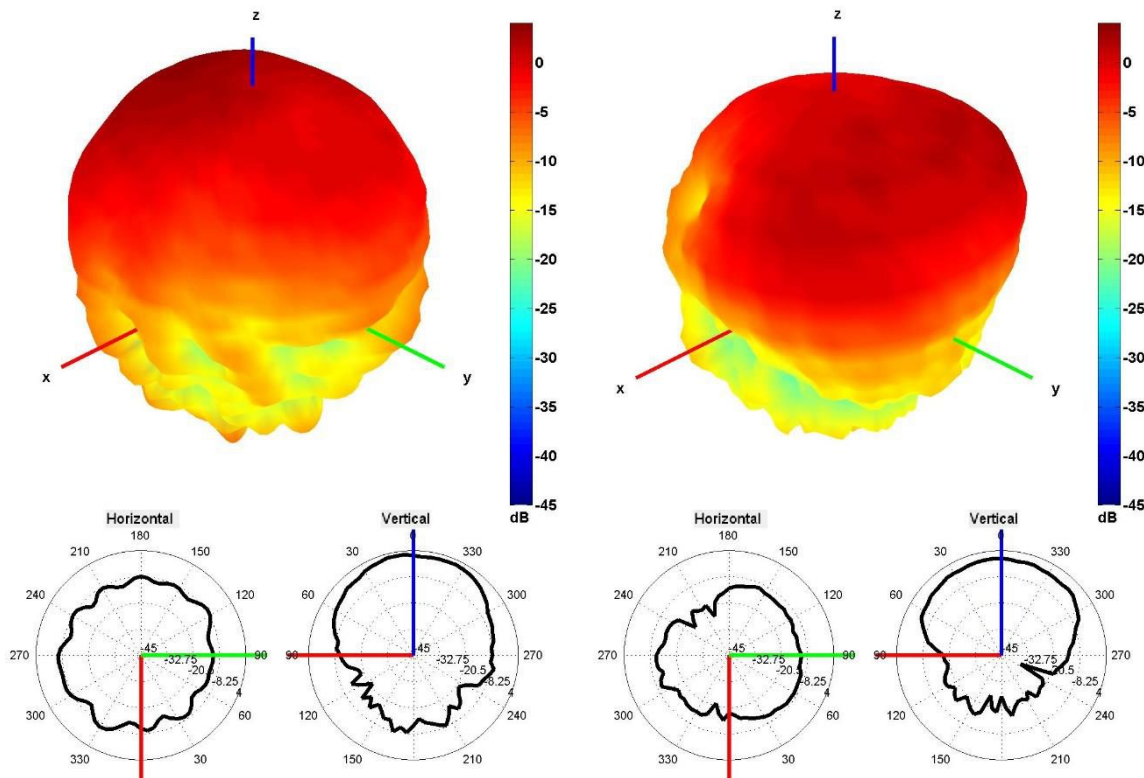






Radiation pattern reference

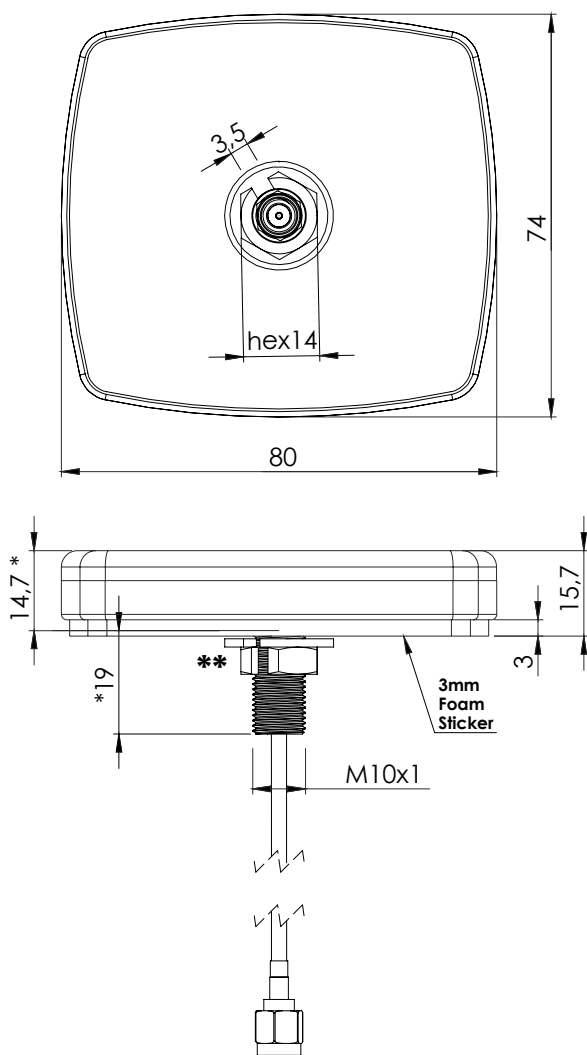
Cable 1: 2.4/5.0 GHz ISM



2450 and 5500 MHz Radiation pattern

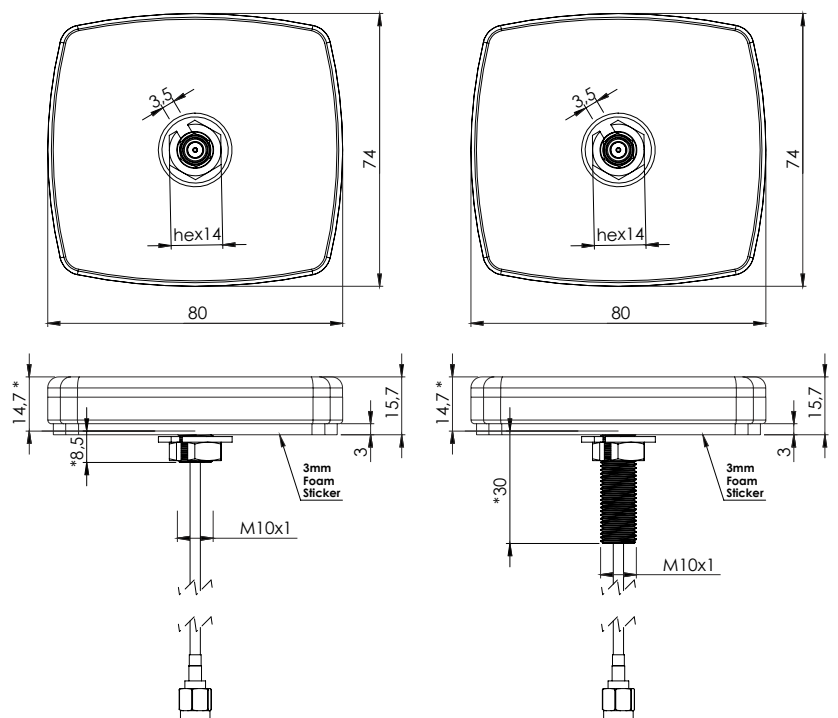
## 4. Antenna drawings

### Default Thread Option



**2J6002B-TH19**  
19 mm Thread  
Default Option

### Other Thread Options available



**2J6002B-TH19**  
8,5 mm Thread

**2J6002B-TH19**  
30 mm Thread

**\*Dimensions after mounting**  
**\*\*Max. Torque= 5 Nm**

## 5. Antenna Images

